



OPERATION MANUAL

**SJ3215, SJ3219,
SJ3220, SJ3226,
SJ4726, SJ4732, SJ4740**

DC ELECTRIC SCISSORS

216380AIA
November 2 2022
ANSI/CSA

This manual is for MEWPs with serial numbers:

SJ3215: A100 000 001 & Above

SJ3219: A100 000 001 & Above

SJ3220: A101 000 001 & Above

SJ3226: A101 000 001 & Above

SJ4726: A102 000 001 & Above

SJ4732: A102 000 001 & Above

SJ4740: A103 000 001 & Above

Please refer to the website (www.skyjack.com) for contact information, other serial numbers, the most recent technical manuals, and USB software.

The original instructions are in English.

THIS SAFETY ALERT SYMBOL MEANS ATTENTION!



BE ALERT! YOUR SAFETY IS INVOLVED.

The Safety Alert Symbol identifies important safety messages on MEWPs, safety signs in manuals or elsewhere. When you see this symbol, be alert to the possibility of personal injury or death. Follow the instructions in the safety message.

DANGER

DANGER indicates an imminently hazardous situation which, if not avoided, will result in death or serious injury.

WARNING

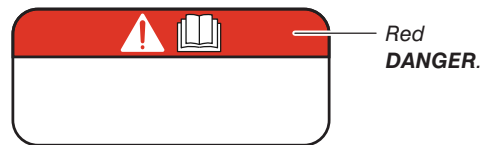
WARNING indicates a potentially hazardous situation which, if not avoided, could result in death or serious injury.

CAUTION

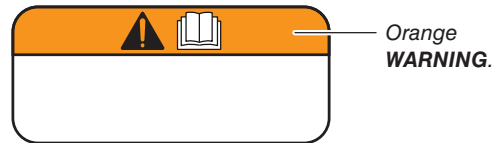
CAUTION indicates a potentially hazardous situation which, if not avoided, may result in minor or moderate injury. It may also be used to alert against unsafe practices.

IMPORTANT

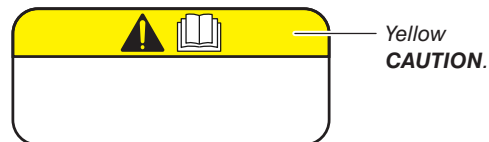
IMPORTANT indicates a procedure essential for safe operation and which, if not followed, may result in a malfunction or damage to the MEWP.



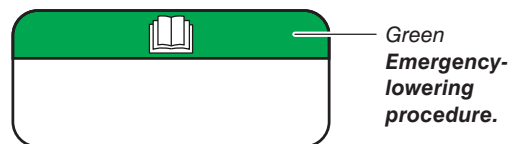
Red
DANGER.



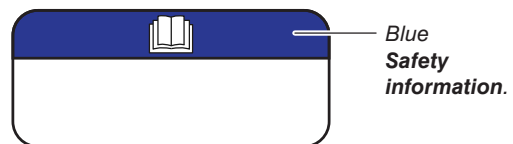
Orange
WARNING.



Yellow
CAUTION.



Green
Emergency-lowering procedure.



Blue
Safety information.

Table of Contents

Section 1 – About this Mobile Elevating Work Platform (MEWP)	9
1.1 Read and Heed	9
1.1-1 <i>Mobile Elevating Work Platform (MEWP) definition</i>	9
1.1-2 <i>Purpose of equipment</i>	9
1.1-3 <i>Use of equipment</i>	9
1.1-4 <i>Operation manual</i>	9
1.1-5 <i>Operator</i>	9
1.1-6 <i>Service policy and warranty</i>	9
1.1-7 <i>Ownership of Machine</i>	9
1.1-8 <i>Optional Accessories</i>	9
1.1-9 <i>Scope of this Manual</i>	9
1.2 Primary assemblies	10
1.3 Serial number nameplate	11
1.4 Maintenance responsibility	12
1.4-1 <i>Operator</i>	12
1.4-2 <i>Maintenance and inspection schedule</i>	12
1.4-3 <i>Owner</i>	12
Section 2 – General Safety Precautions	13
2.1 Electrocutation hazards	13
2.1-1 <i>Minimum distance from electrical conductors</i>	13
2.2 Safety instructions	14
2.3 Fall-protection	17
2.4 Worksite inspection	17
Section 3 – Familiarization	19
3.1 Overview of the MEWP	20
3.2 Manual storage box	21
3.3 Control functions	21
3.3-1 <i>Main power disconnect switch</i>	21
3.3-2 <i>Base control console</i>	21
3.3-3 <i>Platform control console</i>	22
3.4 Features and Devices	23
3.4-1 <i>Lowered travel position and elevated travel position</i>	23
3.4-2 <i>Drive speed</i>	23
3.4-3 <i>Tilt switch</i>	23
3.4-4 <i>Brake release system</i>	24
3.4-5 <i>Freewheeling valve</i>	24

3.4-6	<i>Emergency-lowering system</i>	25
3.4-7	<i>Fall-protection anchorage</i>	25
3.4-8	<i>Platform load-sensing system</i>	26
3.4-9	<i>Pothole protection</i>	26
3.4-10	<i>Maintenance support(s)</i>	27
3.5	General components	27
3.5-1	<i>AC power socket on the platform</i>	27
3.5-2	<i>Battery charger</i>	27
3.5-3	<i>Folding-guardrail system</i>	28
3.5-4	<i>Extension platform</i>	28
3.5-5	<i>Motion alarm</i>	28
3.5-6	<i>Skycoded™ display panel</i>	28
3.5-7	<i>Dual height control console (SJ3226 and SJ4740)</i>	29
3.6	Optional equipment	29
3.6-1	<i>Power deck control console (SJ3220 and SJ4726)</i>	29
3.6-2	<i>1500 W inverter</i>	30
3.6-3	<i>Secondary Guarding Lift Enable (SGLE) push-button</i>	30
3.6-4	<i>Elevate™ telematics - access control unit</i>	30
3.6-5	<i>ECOTray Leak Containment System</i>	32
Section 4 – Inspections Before Operation		33
4.1	Operator’s Responsibility	33
4.2	Visual and daily maintenance inspections	34
4.2-1	<i>Labels</i>	34
4.2-2	<i>Pothole protection limit switches</i>	34
4.2-3	<i>Electrical</i>	34
4.2-4	<i>Hydraulic</i>	34
4.2-5	<i>Wheel/tire assembly</i>	35
4.2-6	<i>Entrance side</i>	36
4.2-7	<i>Battery tray side</i>	37
4.2-8	<i>Extension side</i>	38
4.2-9	<i>Hydraulic and electric tray side</i>	39
4.2-10	<i>Platform assembly</i>	40
4.2-11	<i>Lift mechanism</i>	41
4.3	Function Tests	42
4.3-1	<i>Do a test of the main power disconnect switch</i>	42
4.3-2	<i>Do a test of the control module and load sensing module self-check</i>	42
4.3-3	<i>Do a test of the emergency-stop button on the base</i>	42
4.3-4	<i>Do a test of the off/platform/base key switch</i>	43
4.3-5	<i>Do a test of the lower/neutral/raise switch</i>	43
4.3-6	<i>Do a test of the emergency-lowering function</i>	43
4.3-7	<i>Do a test of the freewheeling function</i>	44
4.3-8	<i>Do a test of the emergency-stop button on the platform</i>	44

4.3-9	Do a test of the function-enable switch	45
4.3-10	Do a test of the steer function.	45
4.3-11	Do a test of the drive function.	45
4.3-12	Do a test of the anti-tiedown function.	45
4.3-13	Do a test of the brakes	46
4.3-14	Do a test of the platform raise and lower functions	46
4.3-15	Do a test of the horn	46
4.3-16	Do a test of the pothole protection device	47
4.3-17	Do a test of the elevated travel speed	47
4.3-18	Do a test of the dual height control console (SJ3226 and SJ4740).	48
4.3-19	Do a test of the power deck control console (optional equipment for SJ3220 and SJ4726).	49
4.3-20	Do a test of the SGLE switch (optional equipment)	49
4.3-21	Do a test of the flashing light (optional equipment)	50
4.4	Operator's Checklist	51
Section 5 – Operation.		53
5.1	Energize the base control console.	53
5.2	Raise or lower the platform with the base control console.	53
5.3	Energize the platform control console.	54
5.4	Raise or lower the platform with the platform control console.	54
5.5	Drive forward or rearward.	55
5.6	Steer.	55
5.7	Select the level-drive or inclined-drive mode	55
5.8	Extend/retract the extension platform	56
5.8-1	Extend/retract the extension platform manually	56
5.8-2	Extend/retract the extension platform with the power deck (optional equipment for SJ3220 and SJ4726).	56
5.9	Electrical inverter (optional equipment).	56
5.10	Raise and lower with the SGLE platform control console (optional equipment)	57
5.11	MEWP shutdown	57
Section 6 – Procedures		59
6.1	Use the emergency-lowering function	59
6.2	Open the freewheeling valve	59
6.3	Release the brakes manually	60
6.4	Winch and tow the MEWP.	61
6.5	Use the platform control console from the ground	62
6.5-1	Disconnect and remove the platform control console	62
6.5-2	Operate the MEWP from the ground	62
6.6	Move the MEWP for transport.	64
6.6-1	Hoist the MEWP	64
6.6-2	Drive and tie-down the MEWP	65
6.7	Charge the Battery	65
6.8	Use the Maintenance Support(s)	67

6.8-1	Deploy the maintenance support(s)	67
6.8-2	Store the maintenance support(s)	68
6.9	Guardrail lock-pin locations	69
6.10	Fold the guardrails	73
6.10-1	Fold the guardrail system down (SJ3215, SJ3219, SJ3220, SJ3226, SJ4726, SJ4732)	73
6.10-2	Fold the guardrail system down (SJ4740)	76
6.10-3	Fold the Rapidfold guardrail system down (SJ3219)	79
6.10-4	Unfold the guardrails (SJ3215, SJ3219, SJ3220, SJ3226, SJ4726, SJ4732)	80
6.10-5	Unfold the guardrails (SJ4740)	82
6.10-6	Unfold the Rapidfold guardrails (SJ3219)	83
6.11	Move the MEWP through a doorway	84
Section 7 – Specifications		87
7.1	Standard and optional equipment	87
7.2	Owner’s Annual Inspection Record	88
7.3	Specifications	89
7.4	Environment	90
7.5	Maximum platform capacities (evenly distributed)	91
7.6	Floor loading pressure	92
Section 8 – Labels		93
8.1	Base control console labels	94
8.2	Platform control console labels	95
8.3	Dual height control console label (SJ3226 and SJ4740)	96
8.4	Power deck control console labels (SJ3220 and SJ4726)	97
8.5	Labels	98
8.5-1	Rear	98
8.5-2	Left side	103
8.5-3	Platform	106
8.5-4	Front	110
8.5-5	Scissor assembly - rear	110
8.5-6	Right side	113
8.5-7	Battery tray	116
8.5-8	Hydraulic tray	116
8.5-9	Skycoded™ display panel	117
8.5-10	Top view	118
8.5-11	Rapidfold guardrail labels (SJ3219)	119
Section 9 – Unique Skyjack Features		121

Section 1 – About this Mobile Elevating Work Platform (MEWP)

1.1 Read and Heed

Skyjack is continuously improving and expanding product features on its equipment; therefore, specifications and dimensions are subject to change without notice.

1.1-1 Mobile Elevating Work Platform (MEWP) definition

A mobile machine intended for moving persons, tools, and material to working positions, consisting of a work platform with controls, an extending structure, and a chassis.

1.1-2 Purpose of equipment

The Skyjack SJ DC Electric Scissor lifts are designed to move personnel, tools, and materials to working positions.

1.1-3 Use of equipment

The MEWP is a highly maneuverable, mobile work station. Work platform elevation and elevated driving must only be done on a firm, level surface.

1.1-4 Operation manual

The operation manual is an important part of the MEWP. It is important to always keep a copy of this manual in the weather-resistant manual storage box of the MEWP. The manual must be in good condition.

1.1-5 Operator

The operator must read and completely understand this operation manual, the safety panel label located on the platform, the limitations, operating procedures, operator's responsibility for maintenance and all other warnings and instructions in this manual and on the MEWP.

Before you operate the MEWP, make sure you read and completely understand this information:

1. The full contents of the operation manual, including the MEWP limitations and the responsibilities of the operator for the operation, applicable maintenance and safety instructions.
2. The safety panel label on the platform, the labels on the MEWP and the attachments.

Compare the labels on the MEWP with the labels in this manual. Immediately replace any labels that are damaged or missing.

Only trained and authorized personnel shall be permitted to operate a MEWP.

The operator must be familiar with the employer's work rules and related government regulations.

1.1-6 Service policy and warranty

Skyjack warrants each new product to be free of defective parts and workmanship for the first 2 years or 3000 hours, whichever occurs first. Any defective part will be replaced or repaired by your local Skyjack dealer at no charge for parts or labor. In addition, all products have a 5-year structural warranty. Contact the Skyjack Service Department for warranty statement extensions or exclusions.

1.1-7 Ownership of Machine

Notify Skyjack of MEWP ownership. If you sell or transfer the ownership of a MEWP, promptly notify Skyjack of the new owner's contact information.

Skyjack needs this information to inform the owner of any updates or additional activities that are necessary to keep the machine in proper working condition.

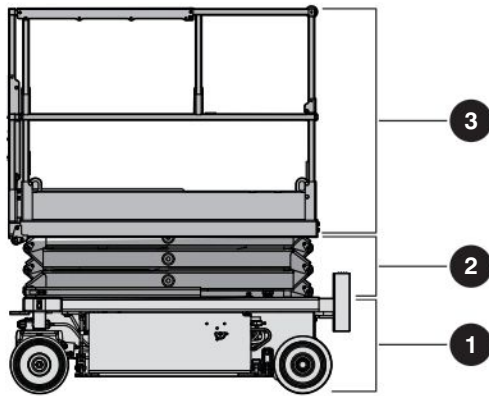
1.1-8 Optional Accessories

This MEWP is designed to accept a variety of optional accessories. Refer to [Section 3.6](#) for a list of the optional accessories. Operating instructions for these options are located in [Section 5](#) of this manual.

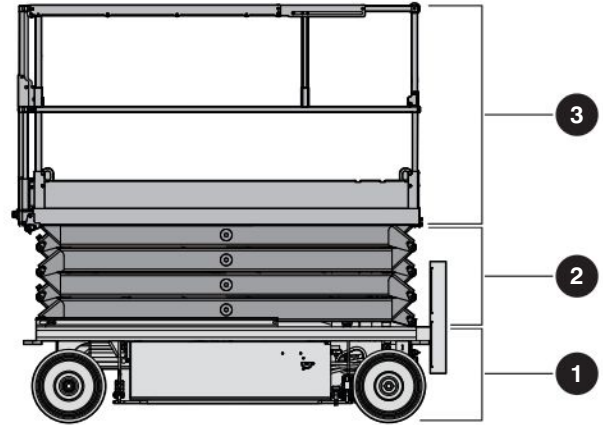
For components or systems that are not standard, speak to the Skyjack Service Department. Give the model and serial number for each applicable MEWP.

1.1-9 Scope of this Manual

1. This manual applies to the ANSI/CSA version of the SJ DC Electric Scissors series. For a list of applicable models, refer to [Section 7.3](#).
 - Equipment identified with *ANSI* meets the ANSI SAIA-A92.20-2018 standard.
 - Equipment identified with *CSA* meets the CSA B354.6:2017 standard.



Models SJ3215, SJ3219



Models SJ3220, SJ3226, SJ4726, SJ4732, SJ4740

1.2 Primary assemblies

The MEWP has these primary assemblies:

1. Base
2. Lift mechanism
3. Platform.

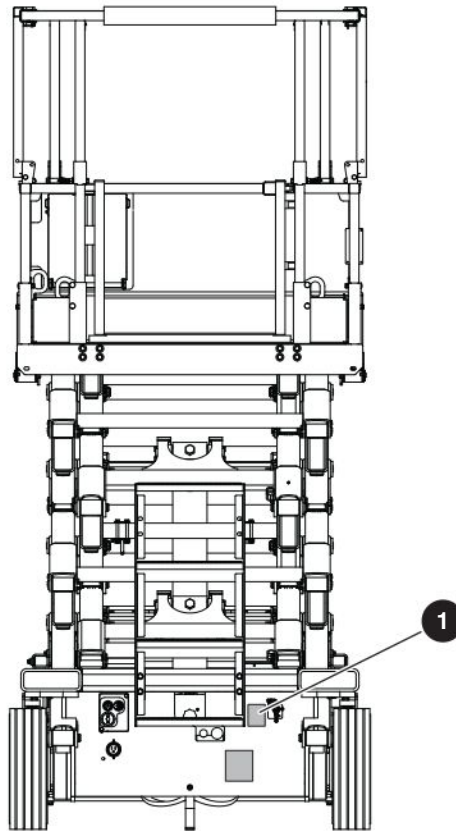
- 1 Base:** The base is an assembly consisting of these components:
- A tray, which contains the hydraulic and electrical components.
 - A tray, which contains:
 - For models SJ3215, SJ3219, SJ3220, SJ3226, SJ4726, and SJ4732: four 6 V batteries and a charger. The charger for models SJ3215 and SJ3219 is located at the rear of the base.
 - For model SJ4740: four 12 V batteries and a charger.
 - The front wheels are steerable by a hydraulic cylinder.
 - For models SJ3215, SJ3219, and SJ4740: the front wheels are driven by two hydraulic motors.
 - For models SJ3220, SJ3226, SJ4726, and SJ4732: the front wheels are non-driven.
 - The rear wheels have spring-applied, hydraulically-released brakes.
 - For models SJ3215, SJ3219, and SJ4740: The rear wheels are non-driven.
 - For models SJ3220, SJ3226, SJ4726, and SJ4732: The rear wheels are driven by two hydraulic motors.

- 2 Lift mechanism:** The lift mechanism is a scissor-type assembly made of formed steel or tube sections. Single-acting hydraulic-lift cylinders with holding valves move the scissor assembly and the platform up and down.

- 3 Platform:** The platform has these parts.

- Tubular support frame.
- Slip-resistant “diamond plate” deck surface.
- Hinged tubular guardrails, with mid-rails, and toe boards.
- You can enter and exit the platform from the rear through a spring-returned gate with a latch.
- Front extension platform.
- AC power socket.

Entrance Side



SJ4740

1.3 Serial number nameplate

The **serial number nameplate** ① is located at the rear side of the MEWP. It contains this information:

- Model number
- Type
- Group
- Serial number
- Indoor or outdoor use
- Capacity and maximum number of persons
- Voltage
- Maximum drive height
- Maximum platform height
- Maximum wind speed
- Maximum manual force
- Model year
- MEWP weight
- System pressure
- Maximum incline.

1.4 Maintenance responsibility

1.4-1 Operator

Before the beginning of each shift, do all the daily inspections and function tests. Refer to [Section 4](#).

1.4-2 Maintenance and inspection schedule

Refer to the service manual for frequent, periodic, and annual inspections.

The actual operating environment of the MEWP may affect the maintenance schedule.

IMPORTANT

Only use original or manufacturer-approved parts and components for the MEWP.

NOTE

Refer to the Skyjack web site (www.skyjack.com) for machine registration and latest service bulletins before you do frequent/periodic or annual inspections.

1.4-3 Owner

The owner is responsible for the maintenance inspections and repairs. Refer to the service manual for the recommended maintenance and inspection areas and intervals. Keep a record of the annual inspection on the label on the scissor assembly. Refer to [Section 7.2](#) in this manual.

WARNING

Only trained and qualified/competent personnel, who understand the mechanical procedures, may do maintenance on the MEWP. The use of a MEWP that is not correctly maintained or in the correct working condition could result in death or serious injury.

Section 2 – General Safety Precautions

WARNING

Failure to obey the instructions and precautions in this manual could result in MEWP damage, property damage, personal injury, or death.

It is mandatory that you use this MEWP correctly. Read this manual and make sure you fully understand it before you operate the MEWP.

Use personal protective equipment (PPE) when you do work on or near machinery to protect your eyes, ears, hands, feet, and body.

Any modifications to the MEWP must have written permission from Skyjack.

WARNING

Do not operate the MEWP if:

- It does not operate correctly
- It is damaged, or shows worn or missing parts
- The safety devices are tampered with or disabled
- It is locked and tagged for servicing or repair
- It was modified without permission from Skyjack and the MEWP owner.

If you do not obey, there is a risk of death or serious injury.

2.1 Electrocuting hazards

The MEWP is not electrically insulated and does not provide protection from contact with or proximity to energized electrical conductors. Follow [Section 2.1-1](#) for the minimum distance to keep between all parts of the MEWP, occupants, or tools, and the electrical conductors. Consider MEWP movement and electrical line sway in minimum distance calculation.

If you need to work nearer than 3m (10ft), stop and apply control measures as determined by a qualified person with respect to electrical transmission and distribution.

Obey all the national, state/provincial/territorial and local safety rules.

2.1-1 Minimum distance from electrical conductors

Voltage Range	Minimum Distance from Electrical Conductors
≤ 50 KVA	3 m (10 ft)
> 50 KVA, or if not known	STOP and apply control measures as determined by a qualified person with respect to electrical transmission and distribution.

DANGER

Electrocution hazard. Keep all parts of the MEWP, occupants, or tools a safe distance away from power lines, electrical power sources, or energized sources. If you do not obey, there is a risk of death or serious injury.



Keep a minimum safe distance from sources of high-voltage power.



DO NOT operate the MEWP during lightning or storms.

CAUTION

DO NOT use the MEWP as a ground for welding. If you do not obey, there is a risk of minor or moderate injury, or malfunction or damage to the MEWP.

2.2 Safety instructions

WARNING

DO NOT operate this MEWP without the correct training and authorization. If you do not obey, there is a risk of death or serious injury.

WARNING

DO NOT operate this MEWP in closed areas without sufficient airflow for exhaust gas and fumes. If you do not obey, there is a risk of death or serious injury.

WARNING

Failure to heed the following safety precautions could result in tip-over, falling, crushing, or other hazards leading to death or serious injury.

KNOW all national, state/provincial or territorial, and local rules which apply to your MEWP and worksite.

MAKE SURE all the safety and instructional labels are correctly attached on the MEWP in the correct location. Clean or replace labels that you cannot read.

DISCONNECT and lock the main power disconnect on the left side of the MEWP when leaving the MEWP unattended to prevent unauthorized use.



DO NOT wear jewelry or loose clothing that could become caught or entangled.



DO NOT allow the entanglement of ropes, cables or hoses with the MEWP, adjacent structures or objects.



Prevent falling from the platform. Always keep a firm footing on the platform floor when working thereon. Do not climb on the toe-board, mid-rail, or top-rail. Do not use planks, ladders, or any other devices on the platform for achieving additional height or reach.



DO NOT raise the platform or operate elevated in windy or gusty conditions that exceed the limits specified in [Section 7.5](#).



DO NOT increase the surface area of the platform or carry large surface area items when exposed to wind. Increasing the area exposed to the wind will decrease the MEWP stability.



DO NOT elevate or drive elevated on a slope. Elevated driving must be done on a firm, level surface.



DO NOT drive elevated on a soft or uneven surface.

DO NOT raise the platform if it is not on a firm, level surface.

MAKE SURE the ground condition assessment considers the subsurface voids such as cellars, basements, culverts, and pipes.



DO NOT drive elevated near depressions or holes of any type, loading docks, debris, drop-offs or surfaces that may affect the stability of the MEWP.

IF OPERATION IN AREAS WITH HOLES OR DROP-OFFS IS ABSOLUTELY NECESSARY, elevated driving shall not be allowed. Position the MEWP horizontally only with the platform fully-lowered. After ensuring that all 4 wheels have contact with a firm, level surface, the platform can be raised. After elevation, the drive function must not be activated.

DO NOT ascend or descend grades greater than the maximum inclines listed in [Section 7.3](#). Ascending or descending slopes must only be done when fully lowered.



DO NOT operate a MEWP that has ladders, scaffolding, or other devices on it to increase the platform size or work height.



DO NOT exceed the maximum side force on the platform capacity label when elevated (refer to [Section 7.5](#)).



DO NOT use the MEWP as a crane.



DO NOT sit, stand, or climb on the guardrails.



DO NOT climb on the scissor arm assembly.



DO NOT collide or crush. Be aware of obstructions, personnel, or other possible hazards around the MEWP when elevating, lowering, or driving. Keep all body parts inside the platform when elevating or driving. Be aware of blind spots when operating the MEWP.



DO NOT elevate the platform when the MEWP is on a truck, forklift, or other device or vehicle.



DO NOT use the MEWP when the wheels or tires are damaged (refer to [Section 4.2-5](#)).

Make sure the wheel nuts and cotter pins are in place.



DO NOT alter or disable limit switches or other safety devices.



DO NOT use the MEWP without guardrails, lock-pins, and the entry gate(s) in place.



DO NOT use the MEWP under the influence of alcohol or drugs, or if the operator's performance is impaired by a medical condition, the influence of prescription or over the counter drugs, or fatigue.



DO NOT exceed the rated capacity of the MEWP.



DO NOT distribute the load unevenly.



DO NOT use the MEWP if it does not function correctly or if any parts are damaged or worn.



DO NOT leave the MEWP unattended with the key in the key switch.

DO NOT operate on slippery surfaces without sufficient traction to stop, drive, or steer the MEWP.

STUNT driving and horseplay are prohibited.

DO NOT position the MEWP against another object to steady the platform.

DO NOT place materials on the guardrails or materials that exceed the confines of the guardrails unless approved by Skyjack.

Remove all personnel from the platform before you try to free a snagged platform with the base controls.

2.3 Fall-protection

The guardrail system is the primary fall protection system of the MEWP platform.

If personal fall-protection equipment (PFPE) is required, by an employer or the authority having jurisdiction, Skyjack recommends the use of a full body harness with a lanyard. PFPE must be attached only to approved fall-protection anchorage points in the platform.

All PFPE must be compliant with applicable government rules and must be inspected as per the manufacturer's recommendation.

WARNING

Fall hazard.

- **Only enter and exit the MEWP using the three points of contact principle.**
- **Only use the equipped access openings.**
- **Only enter and exit the MEWP when the platform is fully lowered.**
- **Face the MEWP when entering or exiting the platform.**

Failure to follow these instructions could result in death or serious injury.

Enter or exit the platform from the ground only. Use the three points of contact principle, which is when two hands and one foot, or one hand and two feet are in contact with the MEWP or the ground at all times. Face the MEWP when entering or exiting the platform.

2.4 Worksite inspection

Make sure the operating environment, ambient temperature, Electromagnetic Compatibility (EMC), and Hazardous Location Rating (locations with potentially flammable gases, explosive gases or particles) are appropriate for the MEWP specifications (refer to [Section 7.4](#)).

Be sure to follow all national, state/provincial/territorial, and local rules that relate to operating the MEWP.

Perform a full worksite inspection before operating the MEWP. Identify potential hazards in the area.

Be aware of moving equipment in the area. Take the necessary precautions to prevent collisions.

It is the responsibility of the operator to perform a worksite inspection and avoid/address the following hazards:

- Holes or drop-offs
- Slopes
- Ditches or soft fills
- Floor obstructions, bumps, or debris
- Overhead obstructions
- Electrical conductors
- Hazardous locations
- Inadequate surface support to withstand all load forces imposed by the MEWP (refer to [Section 7.6](#))
- Wind and weather conditions
- Presence of personnel
- Other mobile equipment
- Traffic hazards
- Equipment that could move and collide with the MEWP, such as overhead cranes
- Other possible unsafe conditions.

Section 3 – Familiarization

WARNING

Do not operate this MEWP without correct training and authorization. If you do not obey, there is a risk of death or serious injury.

WARNING

MEWP Familiarization must be given to a qualified operator. If you do not obey, there is a risk of death or serious injury.

WARNING

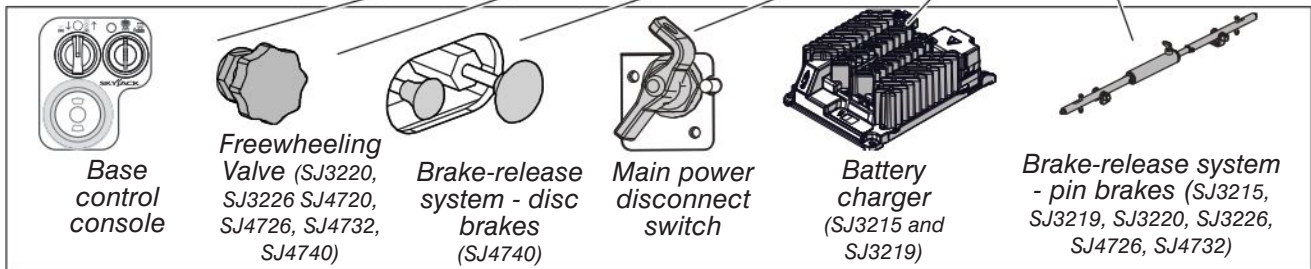
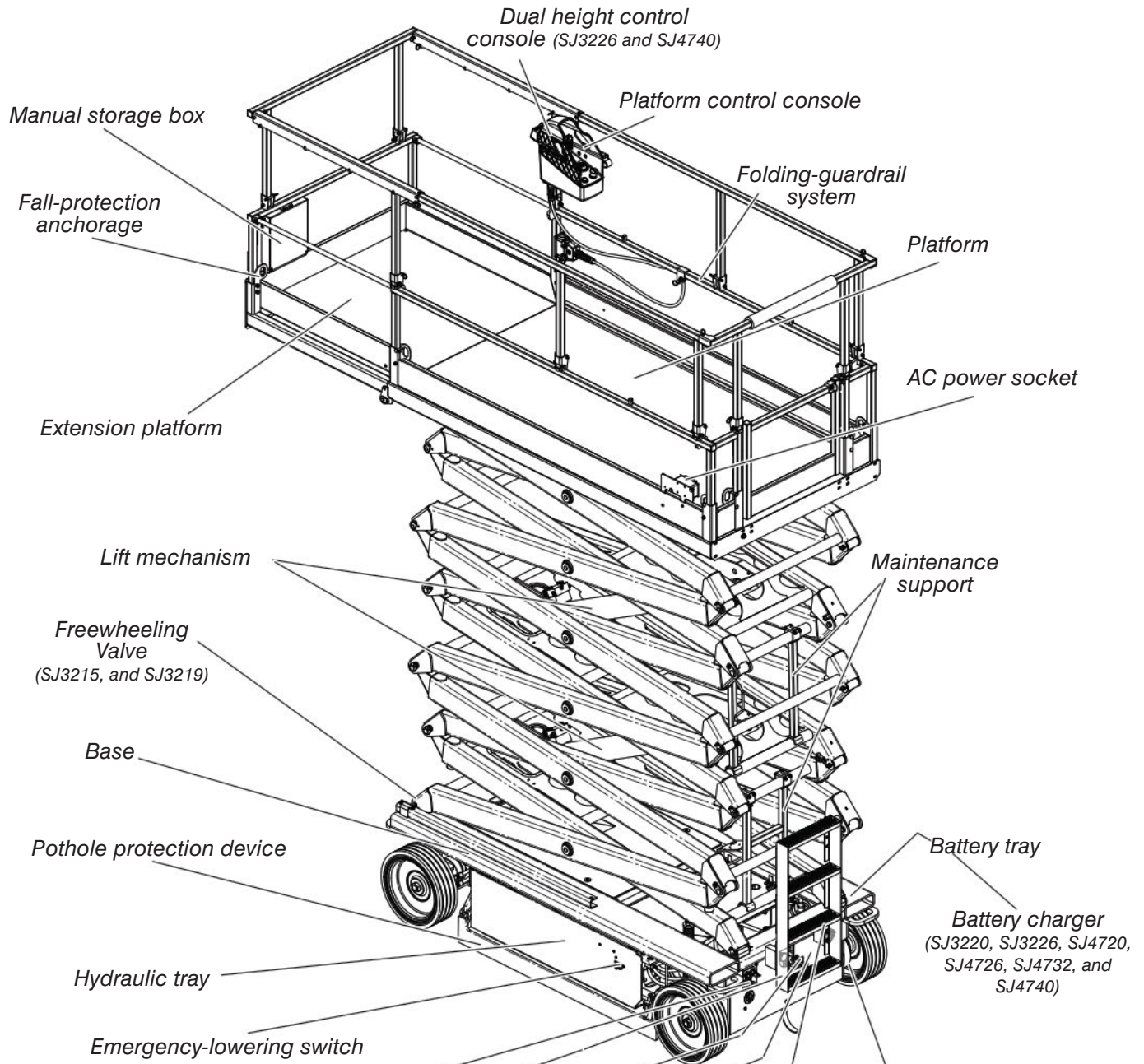
It is the responsibility of the operator to fully understand, and follow all instructions and warnings contained in this operation manual and on the MEWP. If you do not obey, there is a risk of death or serious injury.

Read and fully understand the operation manual, all the warnings, and the instruction labels (refer to [Section 8](#)) on the MEWP.

Do these tasks before the operation:

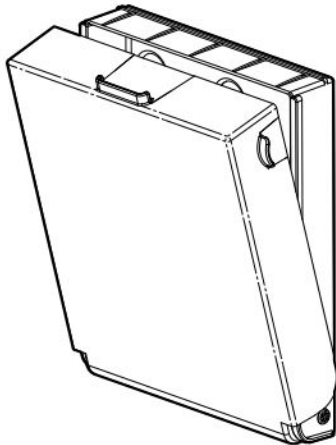
1. Worksite inspection. Refer to [Section 2.4](#).
2. Daily visual and maintenance inspections. Refer to [Section 4.2](#).
3. Function tests. Refer to [Section 4.3](#).

3.1 Overview of the MEWP



3.2 Manual storage box

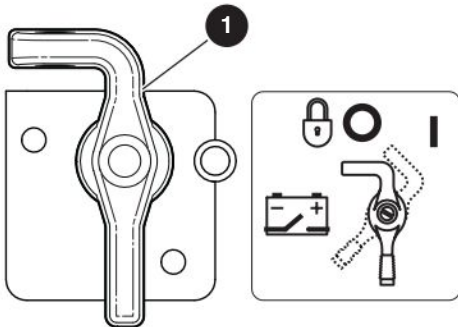
The manual storage box is weather-resistant. It contains the operation manual, ANSI Manual of Responsibilities, and the ANSI/CSA certificate. You must keep the operation manual for the make and model of this MEWP in this box. Refer to [Section 3.1](#) for the location of the manual storage box.



3.3 Control functions

3.3-1 Main power disconnect switch

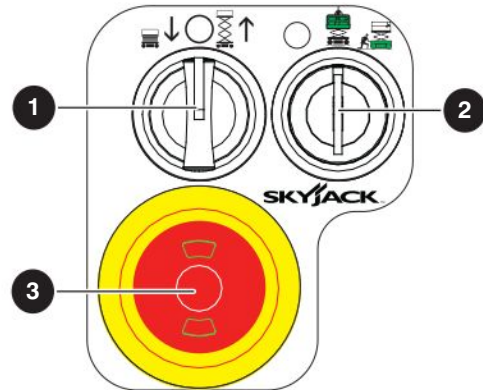
Refer to [Section 3.1](#) for the location of the main power disconnect switch.



- 1 **Main power disconnect:** This switch disconnects power to all control circuits when in the off position. The switch must be in the on position to operate the MEWP. The switch must be in the off position when you transport the MEWP or put it in storage.

3.3-2 Base control console

Refer to [Section 3.1](#) for the location of the base control console.

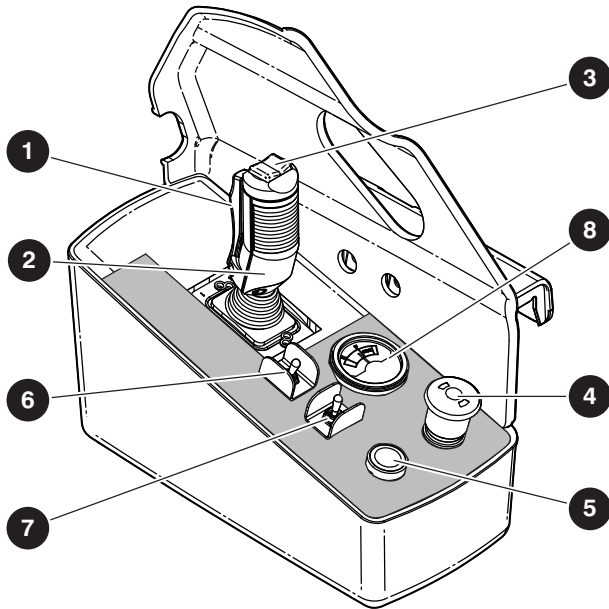


- 1 **Lower/neutral/raise:** This switch controls the function to lower or raise the platform.
- 2 **Off/platform/base key:** With this three-way switch, you can:
 - Turn off the power to the MEWP controls.
 - Energize the platform controls.
 - Energize the base controls.
- 3 **Emergency-stop:** This button disconnects power to the control circuit. Pull to connect the power again.

3.3-3 Platform control console

Use this control console to operate the MEWP from the platform or the ground. To operate the MEWP from a position on the ground, refer to [Section 6.5](#).

Refer to [Section 3.1](#) for the location of the platform control console.



- ① **Lift/drive/steer function-enable:** This switch energizes the controller handle. Squeeze and hold the switch continuously to engage the lift, drive, and steer functions.
- ② **Lift/drive controller:** This one-hand lever controls the lift and drive movements. To return it to the initial neutral position, release the controller.
- ③ **Steering rocker:** This switch controls the left and right steering. Release the switch to return it to the neutral position.
- ④ **Emergency-stop/operation light:** This button, disconnects the power to the control circuit.
 - When the light is on continuously, the platform controls are available.
 - When the light flashes, there is an overload (refer to [Section 3.4-8](#)).
- ⑤ **Horn:** This push-button makes a sound like a car horn.
- ⑥ **Inclined drive/level drive:** This switch selects the inclined drive (low speed/high torque), or the level drive (high speed/low torque).

- ⑦ **Lift/off/drive:** This switch has three positions or modes.
 - The off position on this switch disconnects the power to both the lift and drive circuits.
 - The lift position energizes the lift circuit.
 - The drive position energizes the drive circuit.
- ⑧ **Battery voltmeter:** This voltmeter shows the voltage of the battery.

3.4 Features and Devices

3.4-1 Lowered travel position and elevated travel position

The available MEWP functions depend on these factors:

- MEWP configuration (lowered travel position/ elevated travel position)
- Chassis angle
- Platform load.

The MEWP is in the lowered travel position when the platform is below height “A” (refer to [Figure 01](#)).

The MEWP is in the elevated travel position when the platform is at or above height “A” (refer to [Figure 01](#)).

Model	A - Height	Maximum Drive Height
SJ3215	< 2.13 m (7 ft)	Full height
SJ3219	< 2.13 m (7 ft)	Full height
SJ3220	< 2.08 m (6 ft 10 in)	Full height
SJ3226	< 2.08 m (6 ft 10 in)	Full height
SJ4726	< 2.13 m (7 ft)	Full height
SJ4732	< 2.44 m (8 ft)	Full height
SJ4740	< 2.74 m (9 ft)	Full height

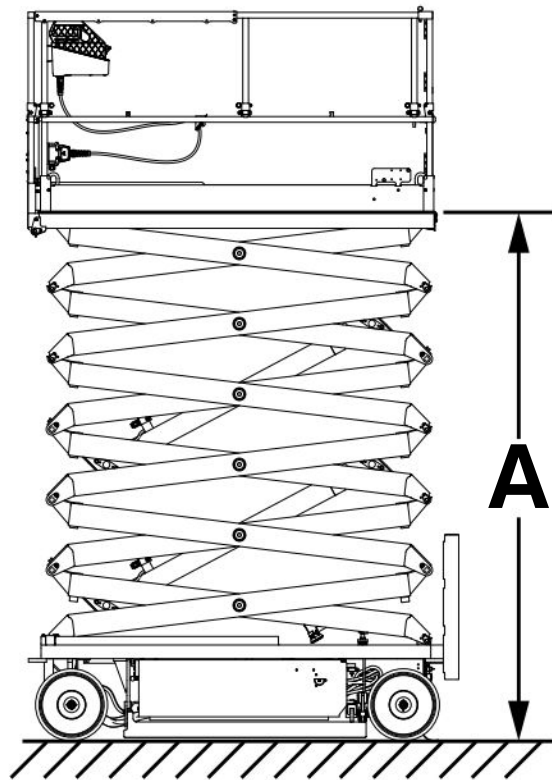


Figure 01 Lowered and elevated travel position

3.4-2 Drive speed

The drive speed depends on the MEWP configuration (lowered travel position/elevated travel position). When the MEWP is in the elevated travel position, the speed is slower than the speed in the lowered travel position. Refer to [Section 7.3](#).

3.4-3 Tilt switch

This device senses when the MEWP has passed a predetermined angle in the longitudinal (front-to-back) or lateral (side-to-side) direction. Refer to [Section 7.5](#). When the tilt switch is on, and the MEWP is in the elevated travel position, it disables the drive and lift functions. An alarm makes a sound, and an amber light flashes on the bracket on the lower scissor arm. If the alarm makes a sound, fully lower the platform. Level the MEWP before you raise the platform.

3.4-4 Brake release system

This system disengages the brakes manually before you push, winch, or tow the MEWP. Refer to [Section 6.3](#) for the procedure. Refer to [Section 3.1](#) for the location of the brake-release system.

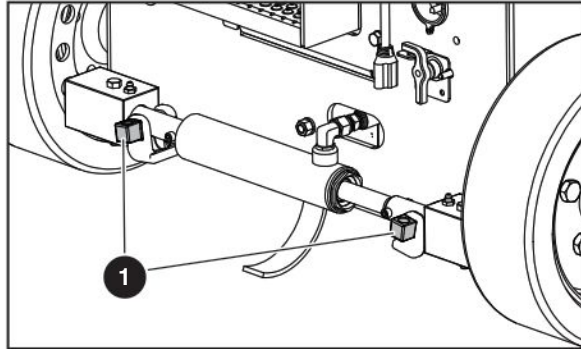


Figure 02 Brake release block (pin brakes)

1 Pin brake blocks

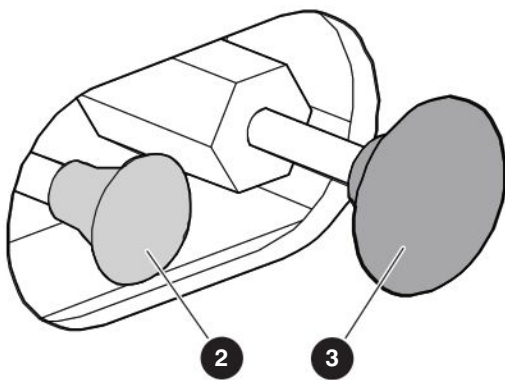


Figure 03 Drive manifold (disc brakes) - SJ4740 only

2 Brake auto-reset valve plunger

3 Brake hand pump

3.4-5 Freewheeling valve

Refer to [Section 6.2](#) for the procedure on how to open the freewheeling valve 4.

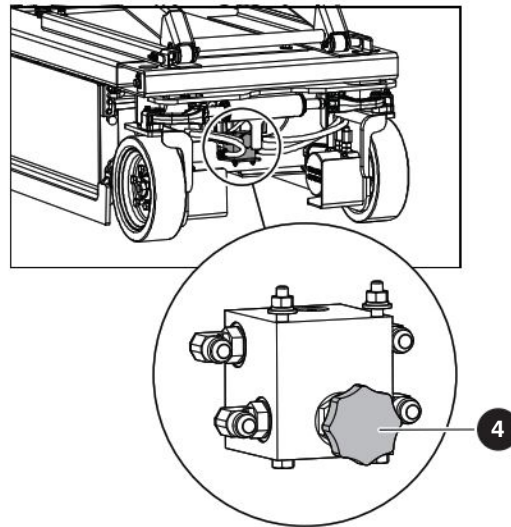


Figure 04 Freewheeling valve (SJ3215 and SJ3219)

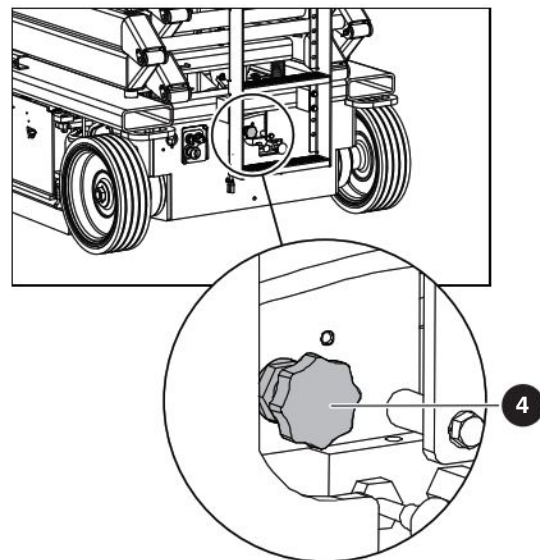
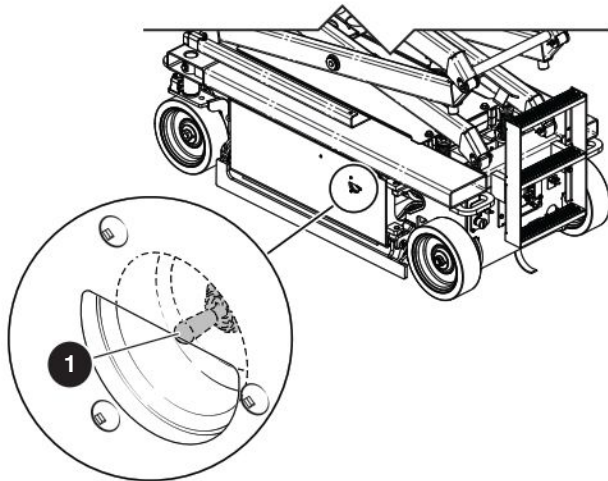


Figure 05 Freewheeling valve (SJ3220, SJ3226, SJ4726, SJ4732, and SJ4740)

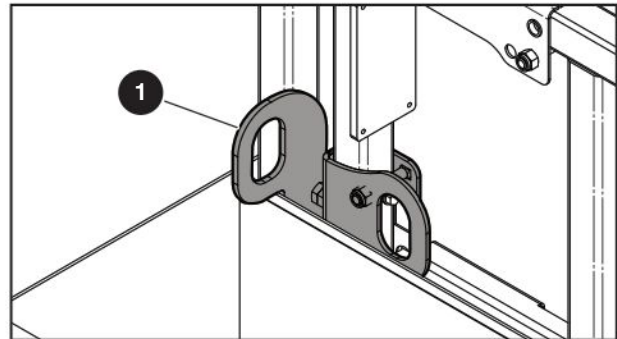
3.4-6 Emergency-lowering system

With the emergency-lowering system, you can lower the platform if there is a failure of the primary power. Refer to [Section 6.1](#) for the emergency-lowering procedure. Refer to [Section 3.1](#) for the location of the emergency-lowering switch.



1 Emergency-lowering switch

3.4-7 Fall-protection anchorage



1 **Fall-protection anchorage:** When required, use this as a point to attach personal fall protection equipment (PFPE). Do not attach the PFPE to any other points on the platform. Do not use this anchorage to lift, anchor, attach, or hold the platform, or other apparatuses or material.

⚠ WARNING

Only use the fall-protection anchorage in the limits of the platform. Do not use the fall-protection anchorage for other than its intended function (refer to [Section 2.3](#)). If you use it incorrectly, death, serious injury, and/or MEWP damage can occur.

3.4-8 Platform load-sensing system

The platform load-sensing system prevents normal MEWP movement when the platform is overloaded and in a stationary position. Refer to [Section 7.5](#) for platform capacities.

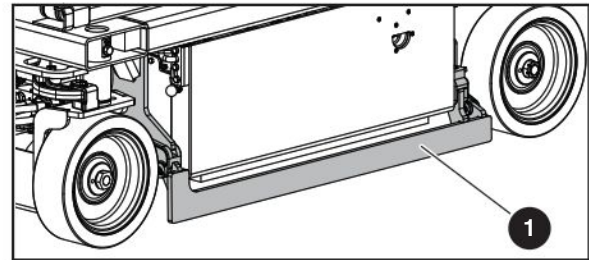
Load status	Result
The platform is near the rated load. All functions are available.	The light on the emergency-stop button flashes on the platform and base control consoles.
The platform is at the rated load. All functions are available.	The alarm sounds. The light on the emergency-stop button flashes on the platform and base control consoles. The platform may stop rising to verify the load. Release the controller handle then push the handle to raise the platform.
The load on the platform is more than the rated load. All normal MEWP movement functions are unavailable.	The light on the emergency-stop button continues to flash on the platform and base control consoles. The alarm continues to sound at an increased frequency.

Remove the overload from the platform to continue the usual operation.

WARNING

Fall hazard. Do not try to free a snagged platform with the base controls until you remove all personnel from the platform. If you do not obey, there is a risk of death or serious injury.

3.4-9 Pothole protection



- 1 Pothole protection:** This device consists of a set of mechanically actuated steel weldments located under the base. These weldments will automatically deploy for reduced ground clearance when elevating the MEWP. If the pothole-protection device has not fully deployed when the MEWP is in the elevated travel position the drive function will be disabled.

WARNING

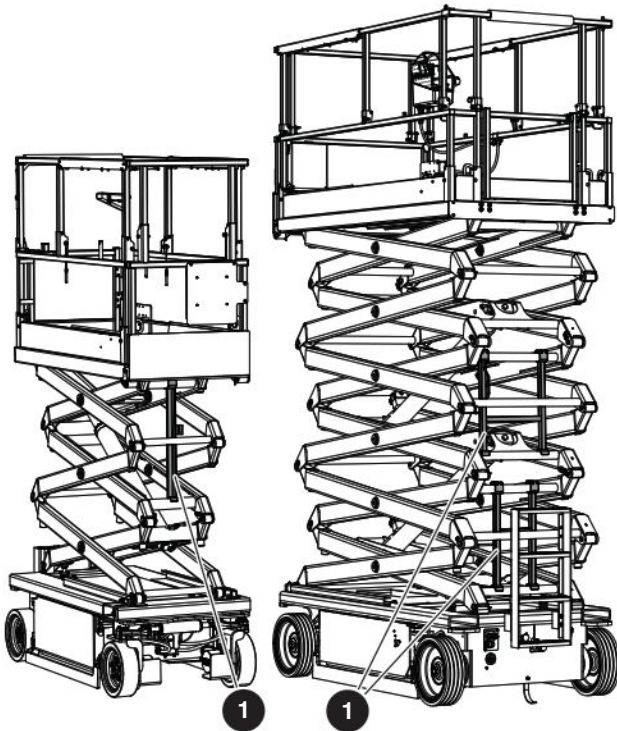
Crush hazard. Personnel on the ground must stay away from the pothole protection device. If you do not obey, there is a risk of death or serious injury.

3.4-10 Maintenance support(s)

Use the **maintenance support(s)** ❶ when you do an inspection of the lift mechanism or do maintenance. Refer to [Section 6.8](#) for the procedure on how to use the maintenance support(s).

NOTE

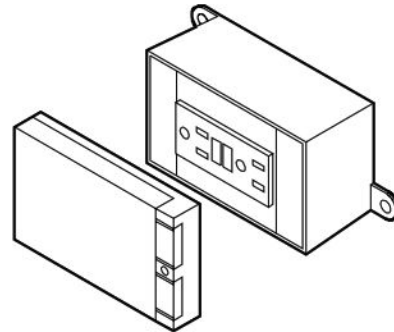
SJ4740 model has two maintenance supports. All other models only have one maintenance support.



3.5 General components

3.5-1 AC power socket on the platform

The AC power socket is a source of AC power on the platform when the plug at the base is connected to a generator or an external power supply.

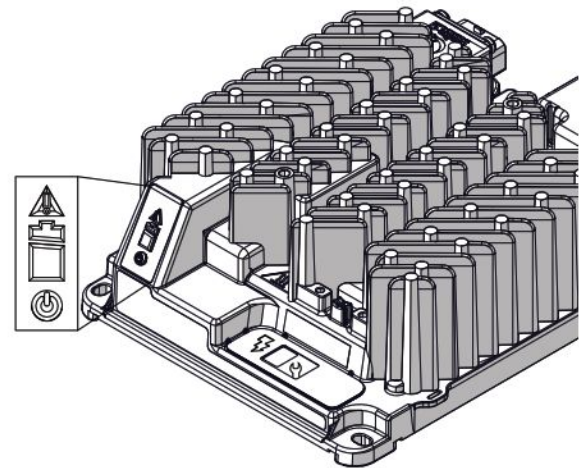


⚠ WARNING

Do not use AC power on the platform when in hazardous areas.

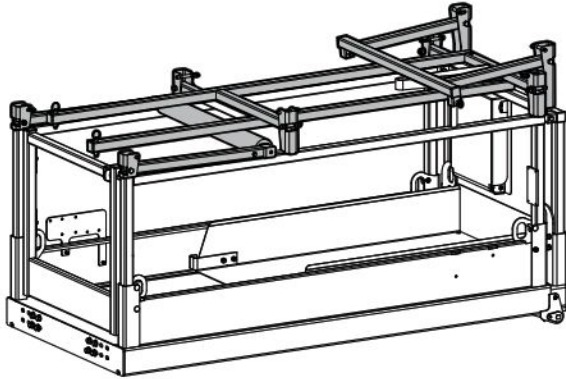
3.5-2 Battery charger

The charger is located at the base. Refer to [Section 6.7](#) for the battery charger operation.



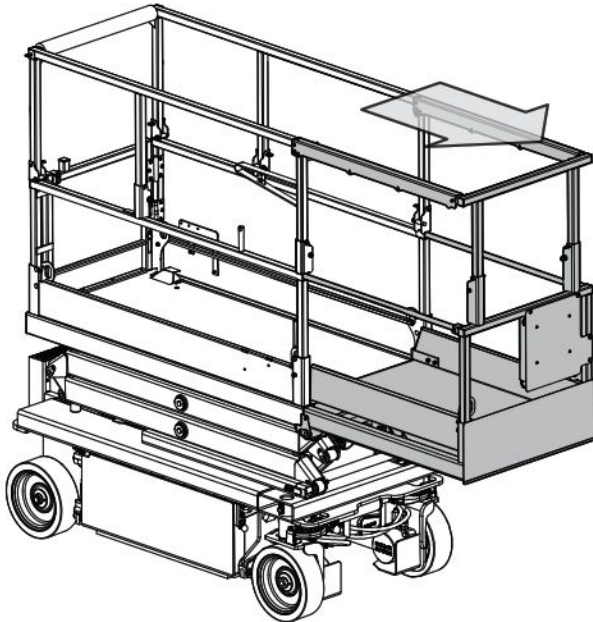
3.5-3 Folding-guardrail system

When you fold this system, it decreases the height of the fully lowered MEWP to transport the MEWP and/or to drive the MEWP through doorways. Refer to [Section 6.10](#) for the procedure on how to fold the guardrails.



3.5-4 Extension platform

The extension platform increases the length and area of the platform. Refer to [Section 5.8](#) on how to extend and retract the extension platform.

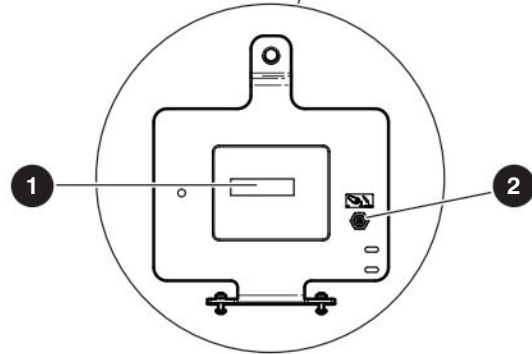
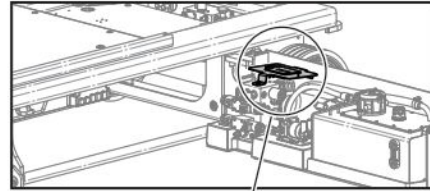


3.5-5 Motion alarm

The alarm makes a sound when a control function operates. On some MEWPs, an amber flashing light goes with this alarm.

3.5-6 Skycoded™ display panel

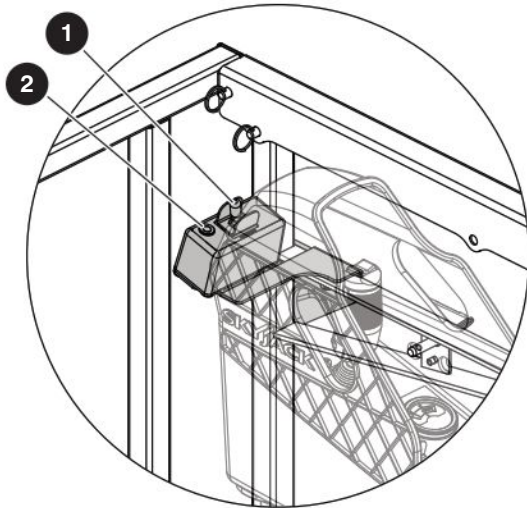
This display panel, located in the hydraulic tray, shows operation and parameter information. Examples are the hours of operation, tilt angle, and error codes.



- 1 Skycoded™ display panel
- 2 **Circuit breaker:** If a power overload or positive circuit grounding occurs, the circuit breaker comes out. Push the **circuit breaker** into the initial position to reset the power.

3.5-7 Dual height control console (SJ3226 and SJ4740)

This control console limits the height of the MEWP when it is outdoor. Refer to [Section 5.4](#) for the operation of the dual height function.



- 1 Dual height: This switch selects indoor (no wind), or the outdoor (wind) position.
- 2 Dual height light

Dual height light	Status
On	The indoor (no wind) mode is on. The platform can go to the maximum height.
Off	The outdoor (wind) mode is on. The platform can only go to 5.63 m (18 ft 6 in) for SJ3226 and 7.31 m (24 ft) for SJ4740.

3.6 Optional equipment

⚠ CAUTION

Skyjack approved modifications and attachments can change the MEWP specifications. Refer to the applicable instructions and labels.

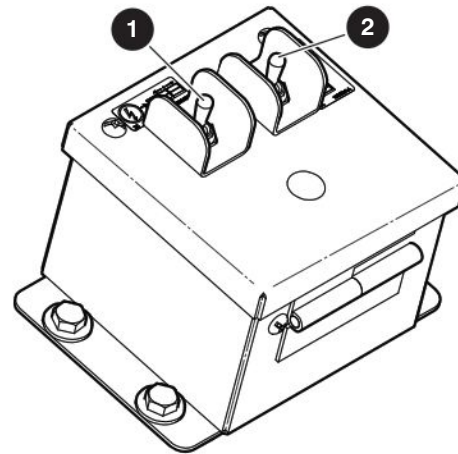
IMPORTANT

Refer to the labels of the optional equipment for the actual weight. Include this weight to calculate the total load on the platform. Include personnel and other materials in the total load.

The weight of the attached parts, panels, occupants, and tools put together must not be more than the rated platform capacity.

3.6-1 Power deck control console (SJ3220 and SJ4726)

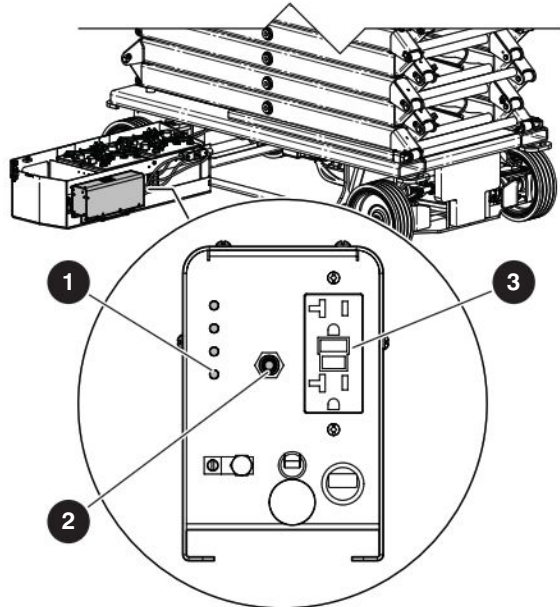
This control console extends or retracts the power deck hydraulically. It is located in the front of the platform control console.



- 1 **Enable:** This switch energizes the circuit that lets the extend or retract functions of the extension platform operate.
- 2 **Extend/retract:** This switch extends or retracts the extension platform.

3.6-2 1500 W inverter

The inverter changes the DC electrical current to an AC electrical current from the batteries. The inverter controls are in the battery tray.



- ❶ **Status LEDs:** These LEDs show the operation or fault of the inverter.
- ❷ **Circuit breaker:** If a power overload or positive circuit grounding occurs, the circuit breaker comes out. Push the **circuit breaker** into the initial position to reset the power.
- ❸ **GFCI:** This power socket supplies the AC power.

NOTE

The inverter operation is automatic. Do not use these controls for MEWP operation.

3.6-3 Secondary Guarding Lift Enable (SGLE) push-button



- ❶ **SGLE:** This push-button energizes the lift function. Hold the button down together with the function-enable switch to enable the raising of the platform with the lift function.

NOTE

The SGLE does not have an effect on these functions: lower, drive, steer, or emergency lowering.

3.6-4 Elevate™ telematics - access control unit

Access control is an added function of the Elevate™ Trackunit. The access control function does not have an effect on: emergency-lowering, load sensing, the horn, and when you lower the platform. These functions are always available. The access control unit does not allow the electric motor to operate without an approved code or card.

IMPORTANT

The owner is responsible to supply PIN codes or Smart ID cards for MEWPs that have the access control function. Skyjack does not supply or reset PIN codes or Smart ID cards. Speak to the MEWP owner to help you with PIN codes or Smart ID cards that do not function, or you cannot find.

With the access control function, the user can control access to the MEWP operation. You can get unique PIN codes or Smart ID cards to unlock and start the MEWP. For this function, an Elevate™ telematics device and an access control keypad are necessary. With the Trackunit Manager, the MEWP owner can customize the access control to the MEWP

(<https://www.trackunit.com/services/manager/>). Speak to the MEWP owner to help you with PIN codes or Smart ID cards that do not function, or you cannot find.



Figure 06 Keypad of the access control unit

- 1 **Orange indicator:** This light shows that the access control unit is ON. The keypad always has power regardless of the emergency-stop, off/platform/base key switch, or main power disconnect position.
- 2 **Green/red indicator:** A green light shows that the access control unit is in operation. A red light that flashes shows that the keypad received a cancel input.

Operation

To operate the MEWP, the light and all of these power connections must be ON before the set time expires. This set time is the time that the MEWP owner sets for the access control operation.

- The green light on the keypad of the access control unit.
- The main power disconnect switch.
- The emergency-stop button on the base control console.
- The off/platform/base key switch.

You can also set these power connections to ON before you start the access control unit.

To operate the access control unit, use the PIN code or Smart ID card.

With the Keypad:

NOTE

This touch-sensitive keypad beeps to identify a correct input.

1. Enter the PIN code.
2. Press the **green checkmark** to confirm.
 - **Result:** The green light identifies an approved ID. Start the operation.

NOTE

If you push an incorrect button when you enter the PIN code, push the Cancel button to start again.

With the Smart ID Card:

1. Put the card in front of the reader.
2. A beep identifies that the reader read the card.
 - **Result:** The green light identifies an approved ID. Start the operation.

IMPORTANT

If the set time of the access control unit expires, enter the PIN code or tap the Smart ID card again. If there is a failure of the access control activation, speak to the MEWP owner.

IMPORTANT

The access control unit will not operate if these power connections are not ON in the set time, or if the operator disconnects them:

- The main power disconnect switch
- The emergency-stop button on the base control console
- The off/platform/base key switch.

IMPORTANT

To start the access control unit, enter the PIN code or tap the Smart ID card. These power connections must be in the ON position in the set time:

- The main power disconnect switch
- The emergency-stop button on the base control console
- The off/platform/base key switch.

Function Tests

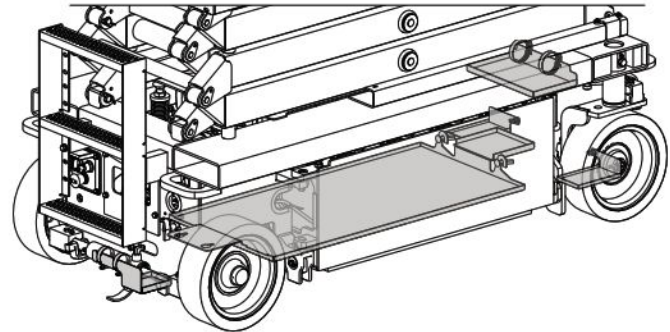
Do the function tests as specified in [Section 4.3](#).

When you do the function tests, make sure that the green light on the keypad is ON. This light confirms that the access control unit is in operation. Do the function tests for these power connections in the set time:

- The main power disconnect switch
- The emergency-stop button on the base control console
- The off/platform/base key switch.

3.6-5 ECOTray Leak Containment System

ECOTray system designed to prevent any potential leaks from hydraulic systems dripping onto floors and other internal components.



Example model SJ3219

IMPORTANT

Inspect the trays daily and make sure:

- There is no visible damage.
- There are no loose or missing fasteners.
- The absorbent pads are dry. If the absorbent pads contain hydraulic fluid, repair the leak and replace the pads.

Section 4 – Inspections Before Operation

4.1 Operator's Responsibility

Do these tasks before each work shift in this sequence:

1. **Visual and daily maintenance inspections**
(refer to [Section 4.2](#)).

WARNING

Do an inspection on the MEWP for damage or loose or missing parts. If damage is found, lock and tag the MEWP and remove it from service. If you do not obey, there is a risk of death or serious injury.

2. **Function tests** (refer to [Section 4.3](#)).

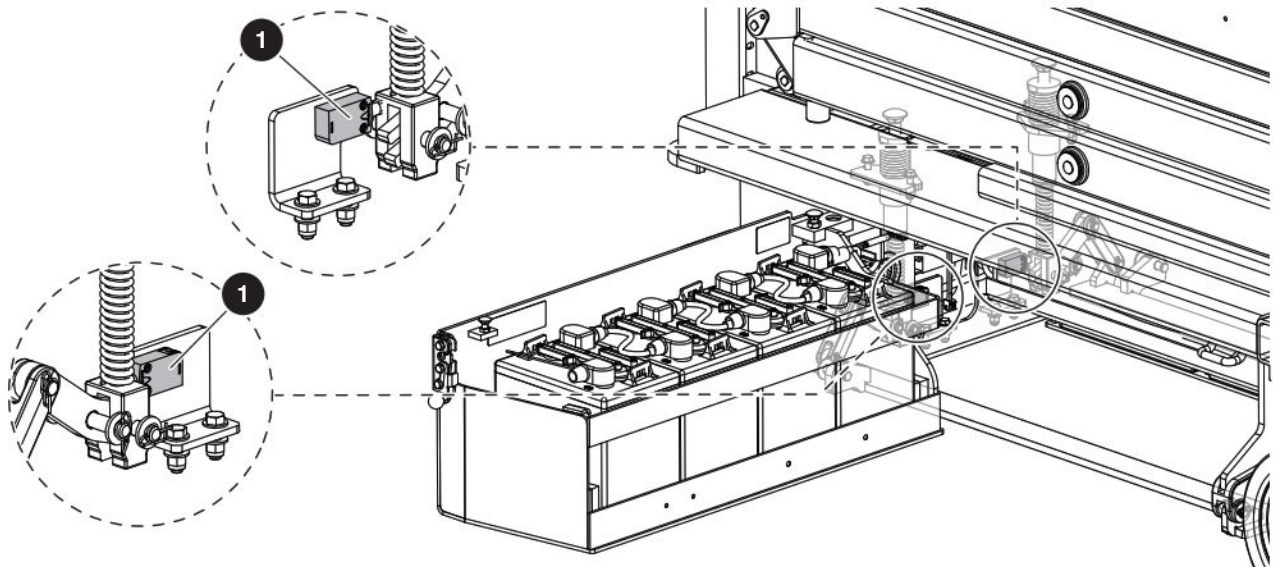
Refer to [Section 4.4](#) for a checklist of the inspection items.

WARNING

If the MEWP is damaged or has been modified from the initial factory-delivered condition, without permission from Skyjack, lock and tag the MEWP. Remove the MEWP for servicing. If you do not obey, there is a risk of death or serious injury.

Repairs to the MEWP are tasks only for a qualified service technician. Do the visual and daily maintenance inspections and function tests again after the repairs.

Scheduled maintenance inspections are a task only for a qualified service technician.



4.2 Visual and daily maintenance inspections

Do an inspection of the MEWP in this sequence:

⚠ WARNING

Do not operate a MEWP that does not function correctly. Lock and tag the MEWP, and remove it for servicing. Only a qualified service technician must repair the MEWP. If you do not obey, there is a risk of death or serious injury.

⚠ WARNING

Turn the main power disconnect switch to the off position before you do the visual and daily maintenance inspections. If you do not obey, there is a risk of death or serious injury.

⚠ CAUTION

Make sure that the MEWP is on a firm, level surface before you do the visual and daily maintenance inspections. If you do not obey, there is a risk of machine damage.

4.2-1 Labels

Refer to [Section 8](#) in this manual for the labels. Make sure all the labels are in the correct location, are in good condition, and you can read them.

4.2-2 Pothole protection limit switches

Make sure the **pothole protection limit switches** **1** are correctly attached, there is no visible damage, and the movement is not blocked.

4.2-3 Electrical

Do a check on these areas for chafed, corroded, and loose wires:

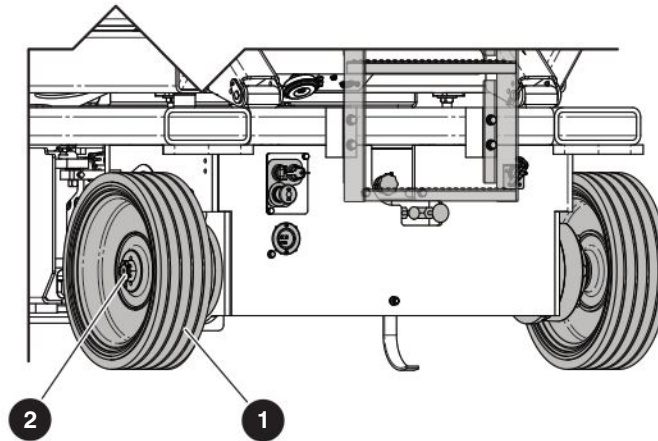
- Base to platform cables and wiring harness
- Battery tray wiring harnesses
- Hydraulic and electrical wiring harnesses.

4.2-4 Hydraulic

Do a check on these areas and make sure there are no signs of leakage:

- Hydraulic tank, filter, fittings, hoses.
- All hydraulic cylinders
- All hydraulic manifolds
- The ground area below the MEWP

Example model SJ4740



4.2-5 Wheel/tire assembly

Do the inspection that follows:

1 Wheel/tire assembly

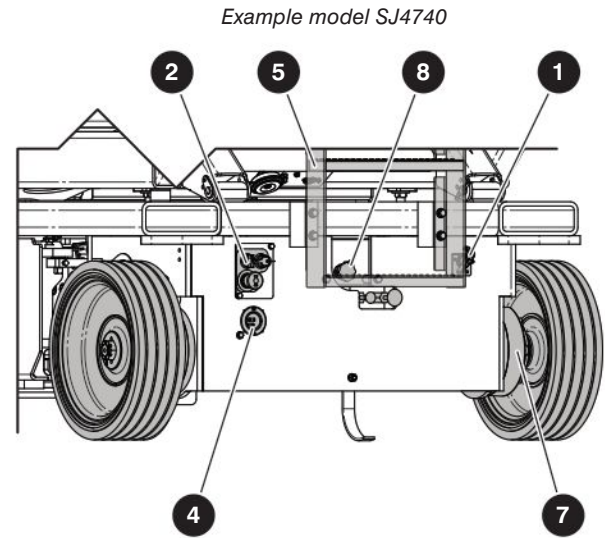
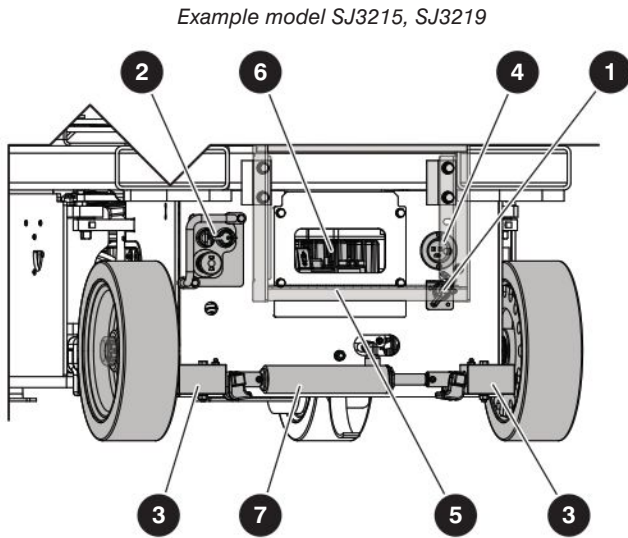
- Do a check on all the tire treads and sidewalls for cuts, cracks, and unusual wear.
- Do a check on each wheel for damage, and cracked welds.
- Make sure the wheels are correctly aligned vertically and horizontally.
- Make sure there is no visible damage.

WARNING

Do not use tires other than the tires that Skyjack specifies for this MEWP. Do not mix different types of tires or use tires that are not in good condition. Only replace the tires with the same types that are approved by Skyjack. The use of other tires can make the MEWP less stable. If you do not obey, there is a risk of death or serious injury.

2 Wheel nuts

- Make sure the castle nut is in position and is tight.
- Make sure the cotter pin is correctly installed.



4.2-6 Entrance side

Do the inspection that follows:

1 Main power disconnect switch

- Turn the **main power disconnect** switch to the off position.
- Make sure the switch rotates and stays in the on and off position.
- Make sure the cables are not loose.

2 Base control

- Make sure there is no visible damage, and all the switches are in their off/neutral positions.

3 Pin brake blocks (SJ3215, SJ3219, SJ3220, SJ3226, SJ4726, and SJ4732 only)

- Make sure there are no loose or missing fasteners.
- Make sure there is no visible damage.
- Make sure the tabs are not locked.

4 AC power socket

- Make sure that the socket is free of dirt or blockages.

5 Ladder

- Make sure there are no loose or missing parts.
- Make sure there is no visible damage.

6 Battery charger (SJ3215, and SJ3219 only)

- Make sure that the battery charger is correctly installed, and in good condition.
- Make sure there is no visible damage.

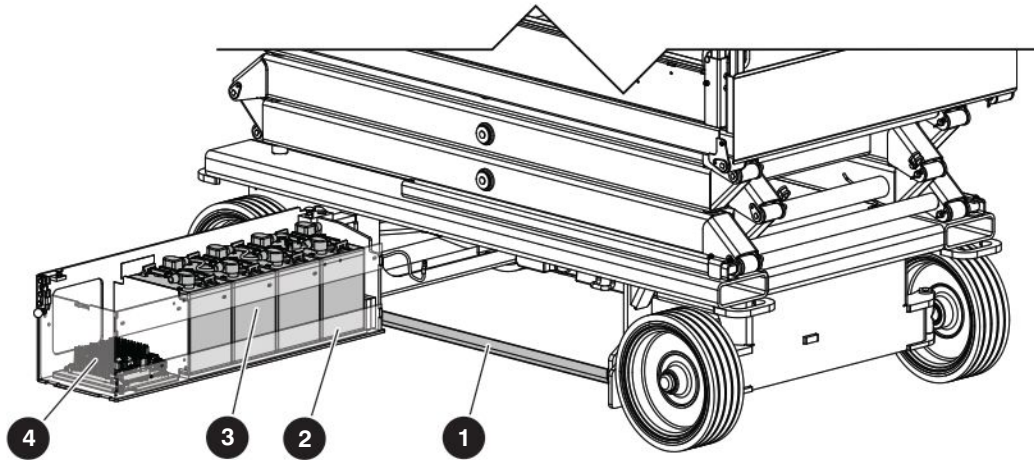
7 Brakes

- Make sure there are no loose or missing fasteners.
- Make sure there is no visible damage.

8 Freewheeling valve (SJ3220, SJ3226, SJ4726, SJ4732, and SJ4740 only)

- Make sure there are no loose or missing parts, and there is no visible damage.

Example models SJ3220, SJ3226, SJ4726, SJ4732



4.2-7 Battery tray side

Do the inspection that follows:

1 Pothole protection device

- Make sure there are no loose or missing parts.
- Make sure there is no visible damage.
- Make sure there is no dirt and blockages.

2 Battery tray

- Make sure that the battery tray latches correctly and is in good condition.

3 Batteries

⚠ WARNING

Explosion hazard. Keep flames and sparks away. Do not smoke near the batteries. Batteries release explosive gas while you charge them. Charge the batteries in a well-ventilated area. If you do not obey, there is a risk of death or serious injury.

⚠ WARNING

Corrosion hazard. Do not touch battery acid. Wear the correct PPE. If the battery acid touches you, immediately flush the area with cold water and get medical aid.

1. Do an inspection of the battery case for damage.
2. Make sure all the battery connections are tight.

3. If applicable, do a check on the battery fluid levels. If the plates do not have a minimum 13 mm (1/2 inch) of solution above them, add distilled or demineralized water.

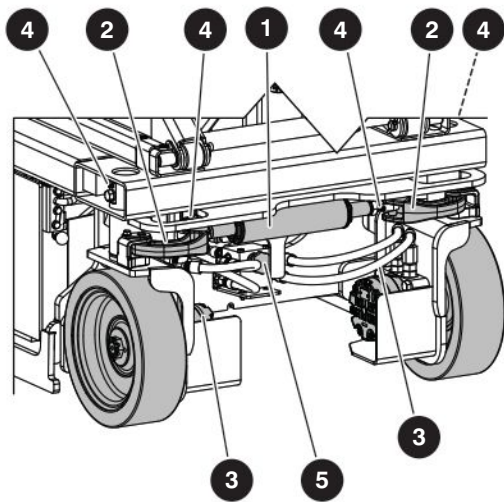
⚠ WARNING

Only use original or manufacturer-approved parts and components for the MEWP. If you do not obey, there is a risk of death, serious injury, or machine damage.

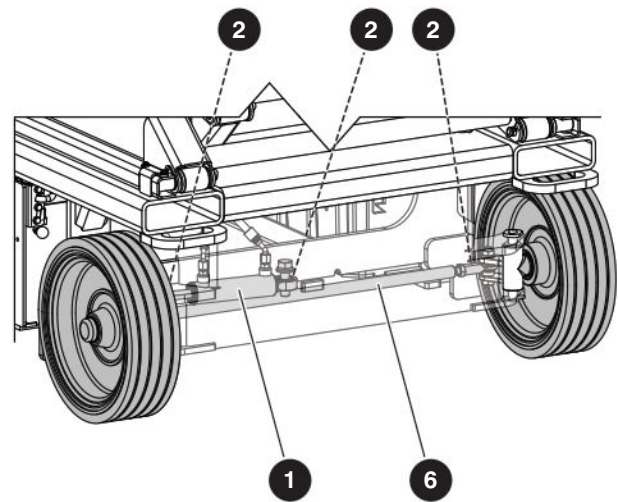
4 Battery charger (SJ3220, SJ3226, SJ4726, SJ4732, and SJ4740 only):

- Make sure that the battery charger is correctly installed, and in good condition.
- Make sure there is no visible damage.

Example model SJ3219



Example model SJ4732



4.2-8 Extension side

Do the inspection that follows:

1 Steer cylinder assembly

- Make sure that the steer cylinder assembly is correctly installed.
- Make sure there are no loose or missing fasteners.
- Make sure there is no visible damage.

2 Steer linkages

- Make sure there are no loose or missing fasteners and lock-pins.
- Make sure that the steer linkages and bushings are correctly attached.
- Make sure there is no visible damage.

3 Wheel/motor assembly

- Make sure there are no loose or missing fasteners.
- Make sure there is no visible damage.

4 Greasing points

- Make sure there is no visible damage.
- Make sure there is no dirt or blockages.

5 Freewheeling valve (SJ3215, SJ3219 only)

- Make sure there are no loose or missing parts, and there is no visible damage.

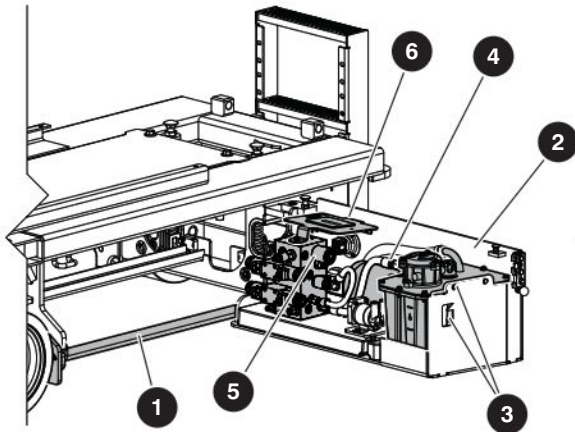
NOTE

It can be necessary to open the battery and hydraulic trays to do an inspection of the steer components.

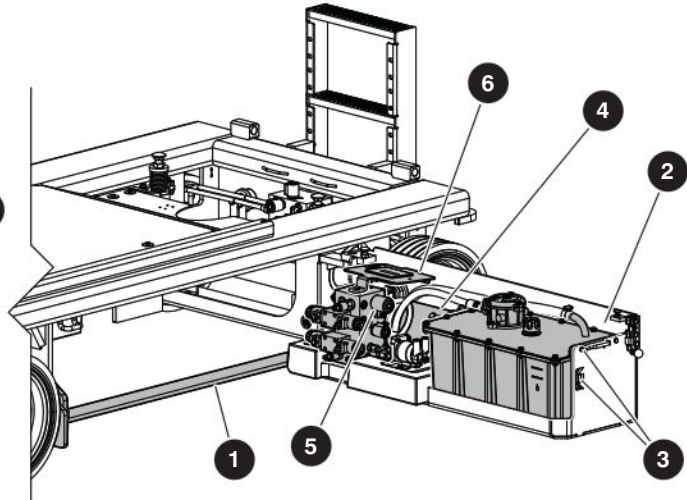
6 Tie Rod (SJ3220, SJ3226, SJ4726, SJ4732 only)

- Make sure there are no loose or missing parts, and there is no visible damage.
- Make sure the tie rod end studs are locked.

Example model SJ3219



Example model SJ4732



4.2-9 Hydraulic and electric tray side

Do the inspection that follows:

1 Pothole protection device

- Make sure there are no loose or missing parts.
- Make sure there is no visible damage.
- Make sure there is no dirt and blockages.

2 Hydraulic and electric tray

- Make sure that the hydraulic and electric tray latches correctly and is in good condition.

3 Hydraulic tank

- Make sure the hydraulic filler cap closes tightly.
- Make sure there is no visible damage or hydraulic leaks.
- **Hydraulic oil level:**
 1. Fully lower the platform.
 2. Do a check on the gauge on the left side of the hydraulic oil tank. The hydraulic oil level must be at or a small distance above the top mark of the gauge.

4 Hydraulic pump and motor

- Make sure there are no loose or missing fasteners.
- Make sure there is no visible damage.

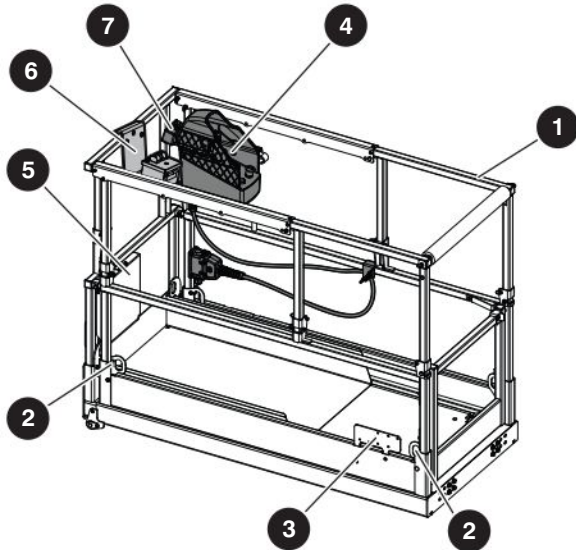
5 Main manifold

- Make sure all fittings and hoses are correctly tightened.
- Make sure there is no indication of hydraulic leakage.
- Make sure there are no loose wires or missing fasteners.

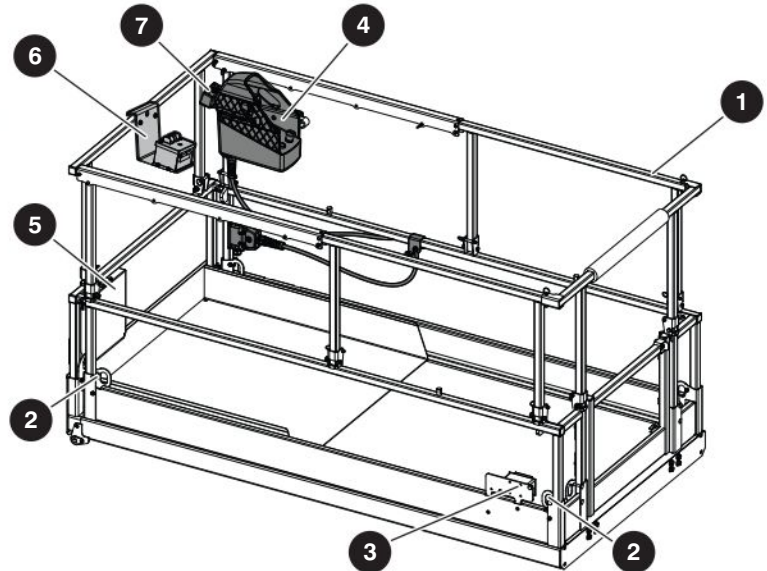
6 Skycoded™ display panel

- Make sure the panel is correctly attached, and there is no visible damage.

Example model SJ3220



Example model SJ4732



4.2-10 Platform assembly

Do the inspection that follows in sequence:

WARNING

Fall hazard. Use the three points of contact principle when you use the MEWP ladder to enter or exit the platform. If you do not obey, there is a risk of death or serious injury.

1. Use the MEWP ladder to enter the platform.
2. Close the gate.

1 Platform railings

- Make sure there are no loose or missing parts, and there is no visible damage.
- Make sure that the lock-pins and fasteners are correctly locked.
- Make sure that the **platform railings 1** are in the correct position and locked with lock-pins. Refer to [Section 6.9](#).
- Make sure that the gate is in good condition and operates correctly.

2 Fall-protection anchorages

- Make sure that the fall-protection anchorages are correctly installed.
- Make sure there is no visible damage.

3 AC power socket

- Make sure that the socket is free of dirt or blockages.

4 Platform control console

- Make sure that the control console is locked with lock-pins.
- Make sure that the platform control cable is correctly locked, and there is no visible damage.

5 Manual storage box

- Make sure that the operation manual and other important documents are in the manual storage box.
- Make sure that the documents are in good condition, and you can read them.
- Always put the manuals and other documents back in the storage box after use.

6 Power deck control console (optional equipment) (SJ3220 and SJ4726 only)

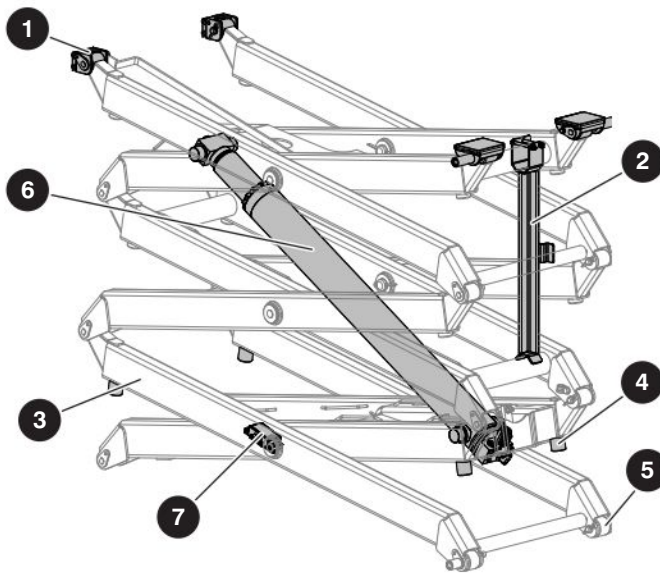
- Make sure all the switches are in the neutral position, and are correctly attached.
- Make sure there are no loose or missing parts, and there is no visible damage.

7 Dual height control console (SJ3226 and SJ4740 only)

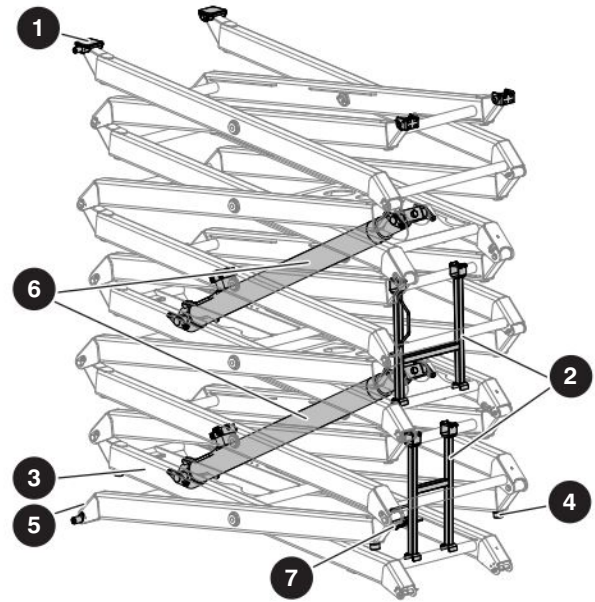
- Make sure all the switches are in the neutral position, and are correctly attached.
- Make sure there are no loose or missing parts, and there is no visible damage.

3. Use the MEWP ladder to exit the platform.

Example model SJ3215



Example model SJ4740



4.2-11 Lift mechanism

Do the inspection that follows in sequence:

1 Sliders

- Make sure that the sliders on the left and right side of the MEWP are correctly attached.
- Make sure there is no visible damage.
- Make sure there is no dirt or blockages in the slider paths.

1. Raise the platform (refer to [Section 5.2](#)) and deploy the maintenance support(s) (refer to [Section 6.8-1](#)).

2 Maintenance support(s)

- Make sure that the maintenance support(s) are correctly attached and show no visible damage.

NOTE

SJ4740 model has two maintenance supports. All other models only have one maintenance support.

3 Scissor assembly

- Make sure that the scissor assembly shows no signs of visible damage, deformation, or cracks in the weldments.
- Make sure all the pins and fasteners are correctly installed, including the connections to the base and platform.
- Make sure that the cables and wires have the correct routing, and show no signs of wear and/or physical damage.

4 Scissor bumpers

- Make sure that the bumpers are correctly attached and have no visible damage.

5 Rollers

- Make sure that the rollers on the left and right side of the MEWP are correctly installed.
- Make sure there is no visible damage.
- Make sure there is no dirt or blockages in the rollers' travel path.

6 Lift cylinder(s)

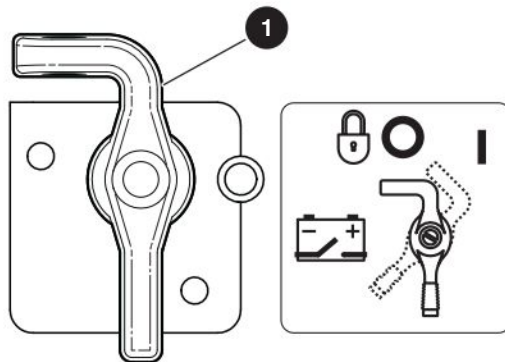
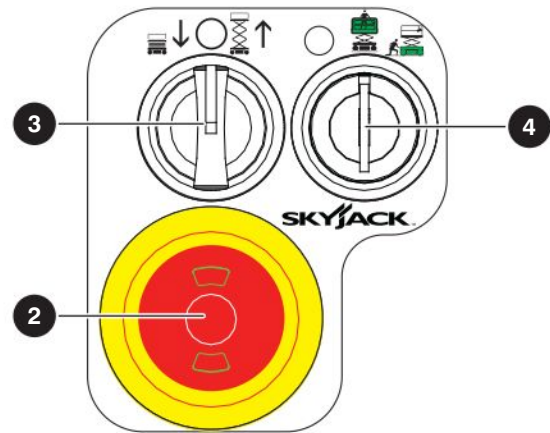
- Make sure that the lift cylinders are correctly installed.
- Make sure there are no loose or missing fasteners.
- Make sure there is no indication of leaks or damage.

7 Angle transducer

- Make sure that the angle transducer is correctly attached.

2. Retract the maintenance support(s) into their storage brackets. Refer to [Section 6.8-2](#).

3. Fully lower the platform.

Main power disconnect switch**Base control console**

4.3 Function Tests

Do the function tests in sequence.

⚠ WARNING

Do not operate a MEWP that does not function correctly. Lock and tag the MEWP, and remove it for servicing. Only a qualified service technician must repair the MEWP. If you do not obey, there is a risk of death or serious injury.

Be sure to read [Section 5](#) before you do the function tests.

4.3-1 Do a test of the main power disconnect switch

1. Turn the **main power disconnect** switch **1** to the off position.
2. Pull the **emergency-stop** button **2** on the base control console.
3. Turn and hold the **off/platform/base** switch **4** to the base position.
4. Turn and hold the **lower/neutral/raise** switch **3** to the raise position.
 - **Result:** The platform does not rise.

4.3-2 Do a test of the control module and load sensing module self-check

1. Push the **emergency-stop** button on the base control console.
2. Turn the **main power disconnect** switch to the on position.

3. Pull the **emergency-stop** button on the base control console.

- **Result:** The beeper makes a sound for approximately 1 second. The light on the emergency-stop button comes on. This shows that the system is in operation, and there are no faults.

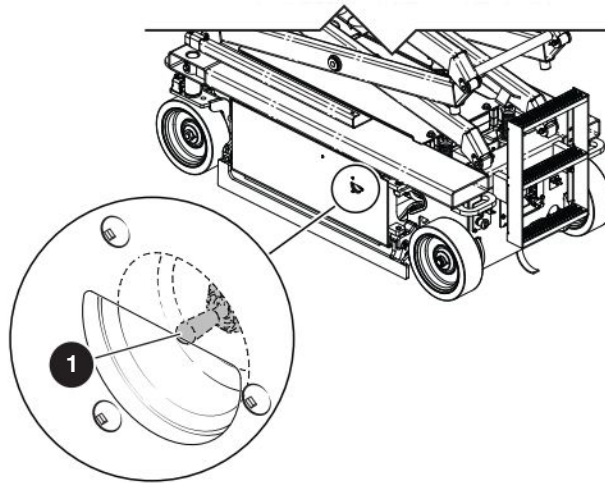
4. Make sure there are no error codes on the Skycoded™ display panel.

- **Result:** If you see an error code, lock and tag the MEWP. Remove the MEWP for servicing. Speak to a qualified service technician for repairs.

4.3-3 Do a test of the emergency-stop button on the base

1. Turn the **main power disconnect** switch to the **on position**.
2. Push the **emergency-stop** button.
3. Turn and hold the **off/platform/base** switch to the base position.
4. Turn and hold the **lower/neutral/raise** switch to the raise position.
 - **Result:** The platform does not rise.

Emergency-lowering switch



4.3-4 Do a test of the off/platform/base key switch

1. Pull the **emergency-stop** button.

WARNING

Look for overhead obstructions or other possible hazards around the MEWP when you raise the platform. Do not lower the platform unless the area below is clear of personnel and obstructions. If you do not obey, there is a risk of death or serious injury.

2. Turn the **off/platform/base key** switch to the platform position.
3. Turn and hold the **lower/neutral/raise** switch to the raise position.
 - **Result:** The platform does not rise.
4. Turn and hold the **off/platform/base key** switch to the base position.
5. Turn and hold the **lower/neutral/raise** switch to the raise position.
 - **Result:** The platform rises.

4.3-5 Do a test of the lower/neutral/raise switch

1. Turn and hold the **off/platform/base** switch to the base position.
2. Turn and hold the **lower/neutral/raise** switch to the raise position.
 - **Result:** The platform rises.

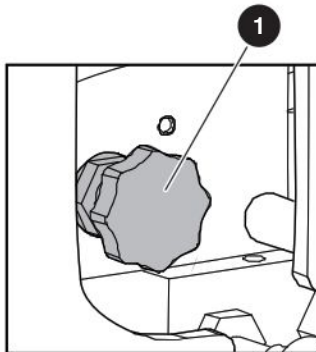
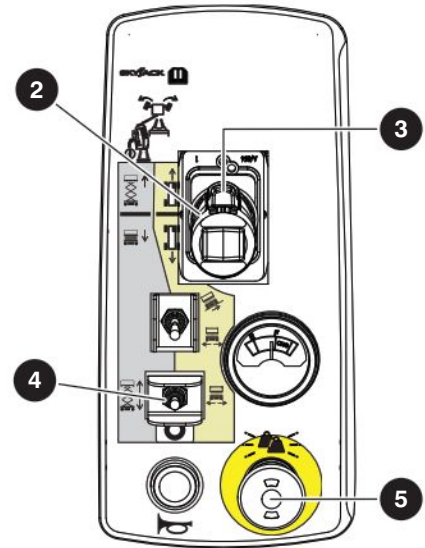
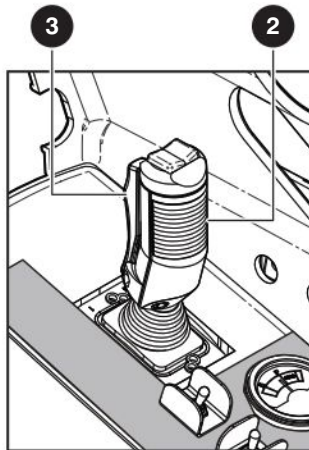
3. Turn and hold the **lower/neutral/raise** switch to the lower position.
 - **Result:** The platform lowers.

4.3-6 Do a test of the emergency-lowering function

WARNING

Look for overhead obstructions or other possible hazards around the MEWP when you raise the platform. Do not lower the platform unless the area below is clear of personnel and obstructions. If you do not obey, there is a risk of death or serious injury.

1. Raise the platform.
2. Hold the **emergency-lowering** switch ① to the left side or right side to lower the platform.
 - **Result:** The platform lowers.

Free-wheeling valve**Platform control console****4.3-7 Do a test of the freewheeling function**

1. Make sure the path of travel is clear.
2. Put wheel chocks or blocks at the front of the wheels and behind them to prevent MEWP movement.
3. Turn the **freewheeling valve** knob ① counterclockwise to a fully open position.
4. Release the brakes manually (refer to [Section 6.3](#)).
5. Remove the wheel chocks or blocks.
6. Push or pull the MEWP.
 - **Result:** The MEWP moves.
7. Put wheel chocks or blocks at the front of the wheels and behind them to prevent MEWP movement.
8. Turn the **freewheeling valve** knob clockwise to a fully close position for operation.
9. Engage the brake (refer to [Section 6.4](#)).

4.3-8 Do a test of the emergency-stop button on the platform

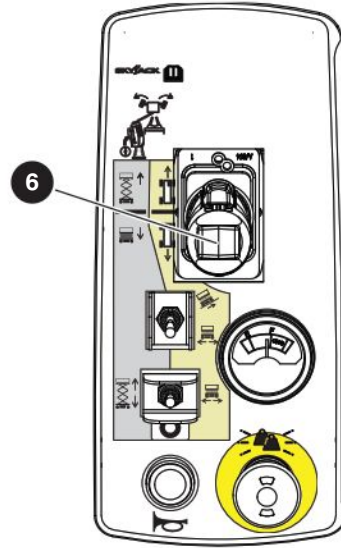
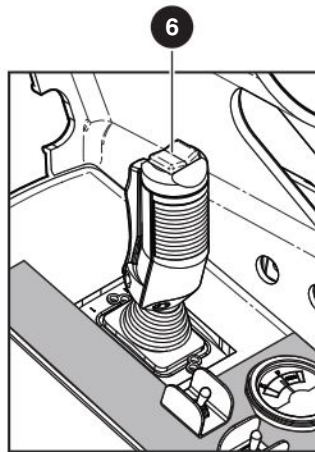
1. Make sure the **main power disconnect** switch is in the on position.
2. Pull the **emergency-stop** button on the base control console.
3. Turn the **off/platform/base key** switch to the platform position.

⚠ WARNING

Fall hazard. Use the three points of contact principle when you use the MEWP ladder to enter or exit the platform. If you do not obey, there is a risk of death or serious injury.

4. Use the MEWP ladder to enter the platform.
5. Close the gate.
6. Pull the **emergency-stop** ⑤ button on the platform control console.
7. Move the **lift/off/drive** switch ④ to the drive position.
8. Push the **emergency-stop** button.
9. Squeeze and hold the **function-enable** switch ③.
10. Push the **controller handle** ② to drive forward.
 - **Result:** The drive function does not operate.

Platform control console



4.3-9 Do a test of the function-enable switch

1. Make sure the path you plan to travel is clear.
2. Pull the **emergency-stop** button.
3. Move the **lift/off/drive** switch to the drive position.
4. Do not use the **function-enable** switch, and try to drive the MEWP by moving the controller handle forward.
 - **Result:** The drive function does not operate.

4.3-10 Do a test of the steer function

1. Move the **lift/off/drive** switch to the drive position.
2. Squeeze and hold the **function-enable** switch.
3. Press the **steering rocker** switch (6) on top of the controller handle to steer left and right.
 - **Result:** The steer wheels turn left and right.

4.3-11 Do a test of the drive function

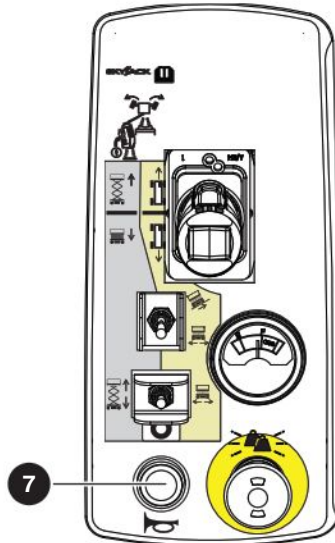
1. Make sure the path of intended motion is clear.
2. Move the **lift/off/drive** switch to the drive position.
3. Squeeze and hold the **function-enable** switch.
4. Slowly push the **controller handle** until the MEWP starts to move. Then, release the handle, so that it goes back to the center position.
 - **Result:** The MEWP moves in the forward direction and then stops.

5. Slowly pull the **controller handle** until the MEWP starts to move. Then, release the handle, so that it goes back to the center position.
 - **Result:** The MEWP moves in the opposite direction and then stops.

4.3-12 Do a test of the anti-tiedown function

1. Make sure the path of intended motion is clear.
2. Move the **lift/off/drive** switch to the drive position.
3. Squeeze and hold the **function-enable** switch for more than 7 seconds.
4. Slowly push the **controller handle** to move the MEWP in the forward direction.
 - **Result:** The MEWP does not move in the forward direction.

Platform control console



4.3-13 Do a test of the brakes

IMPORTANT

The brakes engage instantly when you release the function-enable switch. This causes the MEWP to stop immediately.

1. Make sure the path of intended motion is clear.
2. Move the **lift/off/drive** switch to the drive position.
3. Squeeze and hold the **function-enable** switch.
4. Drive the MEWP forward and then rearward. Release the **controller handle**.
 - **Result:** The MEWP stops. Do not operate the MEWP if the MEWP pulls to one side while it stops. A service technician must do a check on the brake adjustments.
5. Drive the MEWP forward and then rearward. Release the **function-enable** switch only.
 - **Result:** The MEWP comes to an instant and sudden stop. Do not operate the MEWP if it does not stop immediately, or it pulls to one side while it stops. A service technician must do a check on the brake adjustments.

4.3-14 Do a test of the platform raise and lower functions

WARNING

Look for overhead obstructions or other possible hazards around the MEWP when you raise the platform. Do not lower the platform unless the area below is clear of personnel and obstructions. If you do not obey, there is a risk of death or serious injury.

1. Move the **lift/off/drive** switch to the lift position.
2. Squeeze and hold the **function-enable** switch.
3. Push the **controller handle** to raise the platform by approximately 0.5 m (20 in).
 - **Result:** The platform rises.
4. Squeeze and hold the **function-enable** switch.
5. Pull the **controller handle** to fully lower the platform.
 - **Result:** The platform fully lowers.

4.3-15 Do a test of the horn

1. Push the **horn** button 7.
 - **Result:** The horn makes a sound.

4.3-16 Do a test of the pothole protection device

WARNING

Crush hazard. Make sure all personnel on ground stay away from the pothole protection device. If you do not obey, there is a risk of death or serious injury.

WARNING

Fall hazard. Use the three points of contact principle when you use the MEWP ladder to enter or exit the platform. If you do not obey, there is a risk of death or serious injury.

1. Push the **emergency-stop** button.
2. Use the MEWP ladder to exit the platform.
3. Put a block (approximately 3.75 cm (1.5 in) below the hydraulic and electric tray of the MEWP.
4. Use the MEWP ladder to enter the platform.
5. Close the gate.
6. Pull the **emergency-stop** button.
7. Raise the platform until it is at a height of approximately 4.3 m (14 ft).
8. Drive the MEWP forward or rearward.
 - **Result:** The drive function does not operate.
9. Fully lower the platform.
10. Do steps 1 to 9 again, with the block put below the battery tray of the MEWP.
 - **Result:** The drive function does not operate.
11. Push the **emergency-stop** button.
12. Use the MEWP ladder to exit the platform.
13. Remove the block.

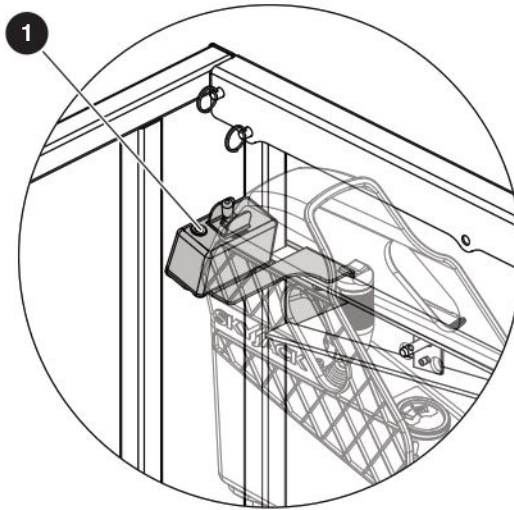
4.3-17 Do a test of the elevated travel speed

WARNING

Look for overhead obstructions or other possible hazards around the MEWP when you raise the platform. Do not lower the platform unless the area below is clear of personnel and obstructions. If you do not obey, there is a risk of death or serious injury.

1. Pull the **emergency-stop** button.
2. Make sure the path of intended motion is clear.
3. Raise the platform until it is at a height of approximately 4.3 m (14 ft).
4. Drive the MEWP forward and then rearward.
 - **Result:** The MEWP drives slower than when it was in the lowered travel position.

Dual height control console



4.3-18 Do a test of the dual height control console (SJ3226 and SJ4740)

⚠ WARNING

Look for overhead obstructions or other possible hazards around the MEWP when you raise the platform. Do not lower the platform unless the area below is clear of personnel and obstructions. If you do not obey, there is a risk of death or serious injury.

1. Make sure the MEWP is indoor or in an environment with no wind.

⚠ WARNING

Tip-over hazard. Do not move MEWP outdoors. Wind has an effect on how stable the MEWP is. If you do not obey, there is a risk of death, serious injury, and/or MEWP damage.

2. Lift the **dual height** switch **1** and select the outdoor (wind) position.
3. For SJ3226:
Raise the platform to 9.14 m (30 ft).
 - **Result:** The platform rises to 5.63 m (18 ft 6 in) and then stops.

For SJ4740:

Raise the platform to 9.14 m (30 ft).

- **Result:** The platform rises to 7.31 m (24 ft) and then stops.
4. Lift the **dual height** switch and select the indoor (no wind) position.
 5. Raise the platform to 9.14 m (30 ft).
 6. Lift the **dual height** switch and select the outdoor (wind) position.
 - **Result:** The alarm makes a sound.

⚠ WARNING

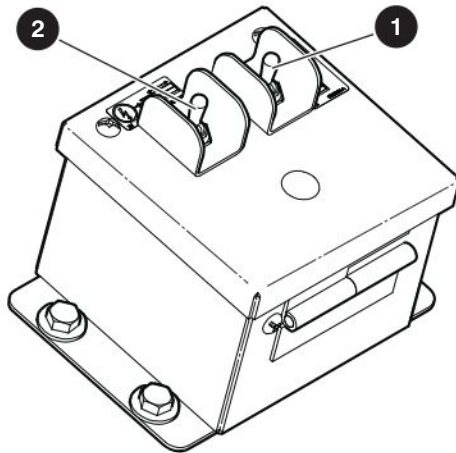
Lock and tag the MEWP, and remove it for servicing if:

- The alarm does not make a sound,
- Or the lift or drive functions are not disabled when you get at the cut-off height.

If you do not obey, there is a risk of death or serious injury.

7. Raise the platform.
 - **Result:** The platform does not rise.
8. Drive the MEWP forward.
 - **Result:** The MEWP does not move.
9. Lower the platform.
 - **Result:** The platform lowers.

Power deck control console



4.3-19 Do a test of the power deck control console (optional equipment for SJ3220 and SJ4726)

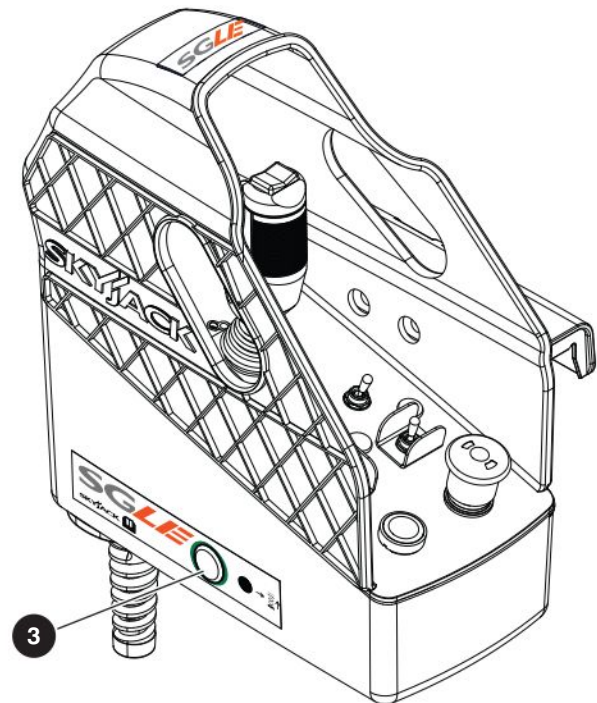
1. Move the **lift/off/drive** switch to the lift position.
2. Move and hold the **extend/retract** switch ❶ in the extend position.
 - **Result:** The platform does not extend.
3. Move and hold the **enable** switch ❷.
4. Move and hold the **extend/retract** switch in the extend position.
 - **Result:** The platform extends.
5. Move and hold the **extend/retract** switch in the retract position.
 - **Result:** The platform retracts.

4.3-20 Do a test of the SGLE switch (optional equipment)

WARNING

Look for overhead obstructions or other possible hazards around the MEWP when you raise the platform. Do not lower the platform unless the area below is clear of personnel and obstructions. If you do not obey, there is a risk of death or serious injury.

SGLE switch on the platform control console



1. Move the **lift/off/drive** switch to the lift position.
2. Do not squeeze the **function-enable** switch or push the **SGLE** button ❸. Push and pull the **controller handle** to raise and lower the platform.
 - **Result:** The platform does not rise or lower.
3. Push and hold the **SGLE** button only. Do not squeeze the **function-enable** switch. Push and pull the **controller handle** to raise or lower the platform.
 - **Result:** The platform does not rise or lower.
4. Push and hold the **SGLE** button. Squeeze the **function-enable** switch. Push and pull the **controller handle** to raise or lower the platform.
 - **Result:** The platform rises and lowers.
5. Squeeze the **function-enable** switch only. Do not push the **SGLE** button. Push and pull the **controller handle** to raise or lower the platform.
 - **Result:** The platform lowers, but does not rise.

4.3-21 Do a test of the flashing light (optional equipment)

1. Make sure the path of intended motion is clear.
2. Operate the drive or lift function.
 - **Result:** The light flashes.
3. Stop all MEWP motion.
 - **Result:** The light does flash.

4.4 Operator's Checklist (page 1 of 2)



SJ3215, SJ3219, SJ3220, SJ3226, SJ4726, SJ4732, SJ4740 Daily Operator's Checklist

Serial Number: _____ Operator's Name _____
 Model: _____ (Printed): _____
 Hourmeter Reading: _____ Operator's Signature: _____
 Date: _____
 Time: _____

Use the applicable section of the operation manual to inspect each item. Check or complete the applicable box for each item as you inspect it.

P PASS
 N/A NOT APPLICABLE

Add a comment if the item does not pass inspection.

	P	N/A	Comments
Visual and Daily Maintenance Inspections			
Labels - Do an inspection for damaged, or missing labels			
Pothole protection limit switches - Do an inspection for loose, damaged, or missing components			
Electrical - Do an inspection for loose, damaged, or missing components			
Hydraulic - Do an inspection for loose, damaged, or missing components			
Wheel/tire assembly - Do an inspection for loose, damaged, or missing components			
Wheel/tire assembly			
Wheel nuts			
Entrance side - Do an inspection for loose, damaged, or missing components			
Main power disconnect switch			
Base control			
Pin brake blocks (SJ3215, SJ3219, SJ3220, SJ3226, SJ4726, and SJ4732 only)			
AC power socket			
Ladder			
Battery charger (SJ3215, and SJ3219 only)			
Brakes (SJ4740)			
Freewheeling valve (SJ3220, SJ3226, SJ4726, SJ4732, and SJ4740 only)			
Battery tray side - Do an inspection for leaks and loose, damaged, or missing components			
Pothole protection device			
Battery tray			
Batteries			
Battery charger (SJ3220, SJ3226, SJ4726, SJ4732, and SJ4740 only)			
Extension side - Do an inspection for leaks and loose, damaged, or missing components			
Steer cylinder			
Steer linkages			
Wheel/motor assembly			
Greasing points			
Freewheeling valve (SJ3215, SJ3219 only)			
Tie rod (SJ3220, SJ3226, SJ4720, SJ4726, SJ4732 only)			

NOTE: Make a copy of this page or go to www.skyjack.com for a copy that you can print.

4.4 Operator's Checklist (page 2 of 2)

	P	N/A	Comments
Visual and Daily Maintenance Inspections			
Hydraulic and electric tray side - Do an inspection for leaks and loose, damaged, or missing components			
Pothole protection device			
Hydraulic and electric tray			
Hydraulic tank			
Hydraulic pump and motor			
Main manifold			
Skycoded™ display panel			
Platform assembly - Do an inspection for loose, damaged, or missing components			
Platform railings			
Fall-protection anchorages			
AC power socket			
Platform control console			
Manual storage box			
Power deck control console (optional equipment) (SJ3220 and SJ4726 only)			
Dual height control console (SJ3226 and SJ4740 only)			
Lift mechanism - Do an inspection for loose, damaged, or missing components			
Sliders			
Maintenance support(s)			
Scissor assembly			
Scissor bumpers			
Rollers			
Lift cylinder(s)			
Angle transducer			
Optional equipment and attachments - Do an inspection for leaks and loose, damaged, or missing components			
Function Tests			
Do a test of the main power disconnect switch			
Do a test of the control module and load sensing module self-check			
Do a test of the emergency-stop button on the base			
Do a test of the off/platform/base key switch			
Do a test of the lower/neutral/raise switch			
Do a test of the emergency-lowering function			
Do a test of the freewheeling function			
Do a test of the emergency-stop button on the platform			
Do a test of the function-enable switch			
Do a test of the steer function			
Do a test of the drive function			
Do a test of the anti-tiedown function			
Do a test of the brakes			
Do a test of the platform raise and lower functions			
Do a test of the horn			
Do a test of the pothole protection device			
Do a test of the elevated travel speed			
Do a test of the power deck control console (optional equipment for SJ3220 and SJ4726)			
Do a test of the wind rating control console (SJ3226 and SJ4740)			
Do a test of the SGLE switch (optional equipment)			
Do a test of the flashing light (optional equipment)			

NOTE: Make a copy of this page or go to www.skyjack.com for a copy that you can print.

Section 5 – Operation

WARNING

Do not operate this MEWP without authorization and training. If you do not obey, there is a risk of death or serious injury.

Do these tasks in sequence before MEWP operation:

1. Visual and daily maintenance inspections. Refer to [Section 4.2](#).
2. Function tests. Refer to [Section 4.3](#).
3. Worksite inspection. Refer to [Section 2.4](#).
4. If a risk assessment finds that a rescue plan is necessary, make sure you have a system of communication. The communication must be between the personnel on the platform and the selected support personnel. The selected support personnel must know how to use the base controls to lower the platform.

WARNING

Do not operate the MEWP if:

- It does not operate correctly
- It is damaged, or shows worn or missing parts
- The safety devices are tampered with or disabled
- It is locked and tagged for servicing or repair
- It was modified without permission from Skyjack and the MEWP owner.

If you do not obey, there is a risk of death or serious injury.

5.1 Energize the base control console

1. Turn the **main power disconnect** switch to the on position.
2. Pull the **emergency-stop** button on the base control console.

WARNING

If you do not hear a beep, and the light does not come on, lock and tag the MEWP. Remove the MEWP for servicing. If you do not obey, there is a risk of death or serious injury.

3. Turn the **off/platform/base key** switch to the base position.

5.2 Raise or lower the platform with the base control console

1. Energize the base control console (refer to [Section 5.1](#)).
2. Turn and hold the **off/platform/base key** switch to the base position.

WARNING

Look for overhead obstructions or other possible hazards around the MEWP when you raise the platform. Do not lower the platform unless the area below is clear of personnel and obstructions. If you do not obey, there is a risk of death or serious injury.

3. Turn and hold the **lower/neutral/raise** switch to the raise or lower position and hold it to raise or lower the platform. Release the switch to stop.

5.3 Energize the platform control console

1. Turn the **main power disconnect** switch to the on position.

WARNING

If you do not hear a beep, and the light does not come on, lock and tag the MEWP. Remove the MEWP for servicing. If you do not obey, there is a risk of death or serious injury.

2. Pull the **emergency-stop** button on the base control console.
3. Turn the **off/platform/base key** switch to the platform position.

WARNING

Fall hazard. Use the three points of contact principle when you use the MEWP ladder to enter or exit the platform. If you do not obey, there is a risk of death or serious injury.

4. Use the MEWP ladder to enter the platform.
5. Close the gate.
6. Pull the **emergency-stop** button on the platform control console.

5.4 Raise or lower the platform with the platform control console

1. Energize the platform control console (refer to [Section 5.3](#)).

WARNING

Tip-over hazard. Use the wind rating to select the correct height mode—indoor (no wind) or outdoor (wind) before you raise the MEWP. If you do not obey, there is a risk of death, serious injury, and/or MEWP damage.

2. For SJ3226 and SJ4740 only:
Lift the **dual height** switch and select the indoor (no wind) or outdoor (wind) position.

WARNING

Look for overhead obstructions or other possible hazards around the MEWP when you raise the platform. Do not lower the platform unless the area below is clear of personnel and obstructions. If you do not obey, there is a risk of death or serious injury.

3. Move the **lift/off/drive** switch to the lift position.
4. Squeeze and hold the **function-enable** switch.
5. Move the **controller handle** forward or rearward to go to the necessary height

NOTE

The lower function is not proportional.

6. Move the **controller handle** to the neutral central position to stop. Release the **function-enable** switch.

WARNING

Push the emergency-stop button when you are at the necessary location or elevation. This prevents unintended MEWP movement. If you do not obey, there is a risk of death or serious injury.

WARNING

If the tilt alarm makes a sound, and the platform does not rise or does not fully rise:

1. Fully lower the platform immediately.
2. Make sure the MEWP is on a firm, level surface.

If you do not obey, there is a risk of death or serious injury.

5.5 Drive forward or rearward

WARNING

Make sure there are no personnel or obstructions in the path of travel. Acquaint yourself with the blind spots of the MEWP. If you do not obey, there is a risk of death or serious injury.

WARNING

Crush hazard. Personnel on the ground must stay away from the pothole protection device. If you do not obey, there is a risk of death or serious injury.

WARNING

Do not drive the MEWP elevated in areas where electrical cables or debris are in the path of travel. If you do not obey, there is a risk of death or serious injury.

1. Energize the platform control console (refer to [Section 5.3](#)).
2. Move the **lift/off/drive** switch to the drive position.
3. Squeeze and hold the **function-enable** switch.
4. Move the **controller handle** forward or rearward to drive at and in the necessary speed and direction.
5. Move the **controller handle** to the neutral central position to stop. Release the **function-enable** switch.

WARNING

Push the emergency-stop button when you are at the necessary location or elevation. This prevents unintended MEWP movement. If you do not obey, there is a risk of death or serious injury.

CAUTION

The pothole protection relies on stable ground clearance. If the total MEWP weight is ever on the pothole protection, immediately lower the platform, and lock and tag the MEWP. A qualified service technician must do a complete inspection. If you do not obey, there is a risk of MEWP damage.

5.6 Steer

1. Energize the platform control console (refer to [Section 5.3](#)).
2. Move the **lift/off/drive** switch to the drive position.
3. Squeeze and hold the **function-enable** switch.
4. Push the **steering rocker** switch on top of the **controller handle** in one of the two directions to steer.

NOTE

The steer function is not proportional. Drive and steer functions can be active at the same time.

5.7 Select the level-drive or inclined-drive mode

- Select the level-drive mode when you drive on a level surface.
 1. To use the level drive mode, move the **inclined-drive/level-drive** switch to the level-drive (high speed/low torque) position.

WARNING

Do not drive the MEWP in the elevated position on a slope. Fully retract the MEWP before you operate it on a slope. If you do not obey, there is a risk of death or serious injury.

- Select the inclined-drive mode in these situations:
 - When you drive up or down slopes
 - When you drive on rough ground
 - When you drive the MEWP on to or remove it from a transport vehicle.
- 1. To use the inclined-drive, move the **inclined-drive/level-drive** switch to the inclined-drive (low speed/high torque) position.

WARNING

Push the emergency-stop button when you are at the necessary location or elevation. This prevents unintended MEWP movement. If you do not obey, there is a risk of death or serious injury.

5.8 Extend/retract the extension platform

⚠ WARNING

Crush hazard. Do not retract the extension platform from the ground. If you do not obey, there is a risk of death or serious injury.

⚠ WARNING

Push the emergency-stop button when you are at the necessary location or elevation. This prevents unintended MEWP movement. If you do not obey, there is a risk of death or serious injury.

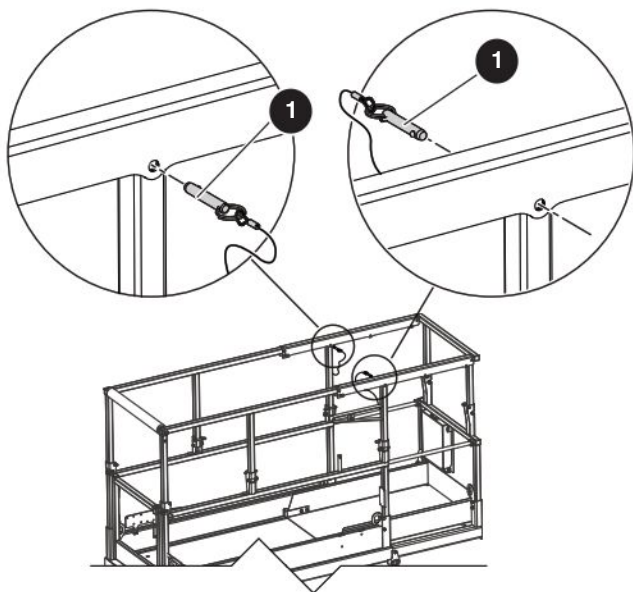
5.8-1 Extend/retract the extension platform manually

1. Remove the lock-pins **1** for the extension platform.
2. Push or pull the extension handrails to extend or retract the extension platform.

⚠ CAUTION

Install each lock-pin correctly with the detent ball of each lock-pin fully through the extension handrails. If you do not obey, there is a risk of machine damage.

3. Install the lock-pins to lock the extension platform at the necessary position.



5.8-2 Extend/retract the extension platform with the power deck (optional equipment for SJ3220 and SJ4726)

1. Pull the **emergency-stop** button on the platform control console.
2. Move the **lift/off/drive** switch to the lift position.
3. Select and hold the enable switch.
4. Move the extend/retract switch to the extend position or retract position. Release the switch to stop.
5. Push the emergency-stop button.

5.9 Electrical inverter (optional equipment)

1. Turn the **main power disconnect** switch to the on position.

NOTE

The LEDs of the inverter show the inverter condition. A green LED shows operation. If there is a fault, the status LEDs show the area at fault.

⚠ CAUTION

Do not let the power of the MEWP stay on at the end of the shift. Turn the main power disconnect switch to the off position. If you do not obey, the batteries will drain.

5.10 Raise and lower with the SGLE platform control console (optional equipment)

1. Energize the platform control console (refer to [Section 5.3](#)).
2. Move the **lift/off/drive** switch to the lift position.

WARNING

Look for overhead obstructions or other possible hazards around the MEWP when you raise the platform. Do not lower the platform unless the area below is clear of personnel and obstructions. If you do not obey, there is a risk of death or serious injury.

3. Push and hold the **SGLE** push-button and squeeze the **function-enable** switch.
4. Push the **controller handle** until you are at the necessary height.
5. Squeeze the **function-enable** switch.
6. Pull the **controller handle** to lower the platform.

NOTE

The SGLE does not have an effect on these functions: lower, drive, steer, or emergency lowering.

7. Release the **controller handle** until it goes back to the center position to stop. Release the **function-enable** switch.

5.11 MEWP shutdown

WARNING

Look for overhead obstructions or other possible hazards around the MEWP when you raise the platform. Do not lower the platform unless the area below is clear of personnel and obstructions. If you do not obey, there is a risk of death or serious injury.

1. Select a reasonably well-protected location to park the MEWP. This location must have a firm, level surface, clear of obstructions and traffic.
2. Fully lower the platform.
3. Push the **emergency-stop** button.

WARNING

Fall hazard. Use the three points of contact principle when you use the MEWP ladder to enter or exit the platform. If you do not obey, there is a risk of death or serious injury.

4. Use the MEWP ladder to exit the platform.
5. Turn the **off/platform/base key** switch to the off position on the base control console and remove the key.
6. Push the **emergency-stop** button.
7. Turn the **main power disconnect** switch to the off position.

Section 6 – Procedures

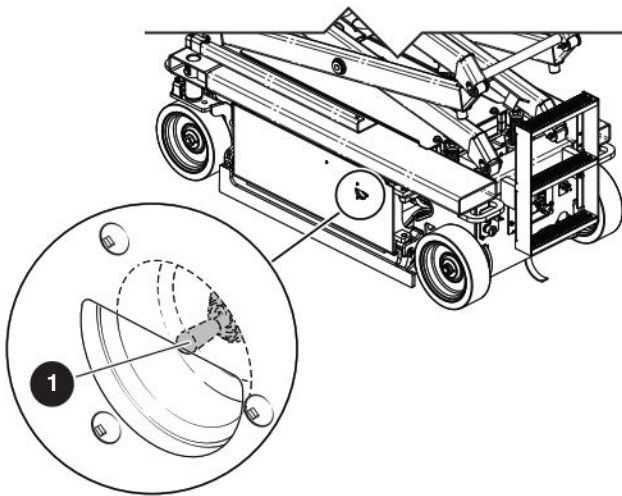
6.1 Use the emergency-lowering function

If there is a primary power failure, you can use the emergency-lowering function to lower the platform.

⚠ WARNING

Crush hazard. Keep clear of the lift mechanism when you use the emergency-lowering function. If you do not obey, there is a risk of death or serious injury.

1. Hold the **emergency-lowering** switch **1** to the left or right to fully lower the platform.



⚠ WARNING

Look for overhead obstructions or other possible hazards around the MEWP when you raise the platform. Do not lower the platform unless the area below is clear of personnel and obstructions. If you do not obey, there is a risk of death or serious injury.

6.2 Open the freewheeling valve

1. Make sure that the MEWP is on firm, level ground.
2. Put wheel chocks or blocks at the front of the wheels and behind them to prevent MEWP movement.
3. Turn the **freewheeling valve** knob **1** counterclockwise to a fully open position.

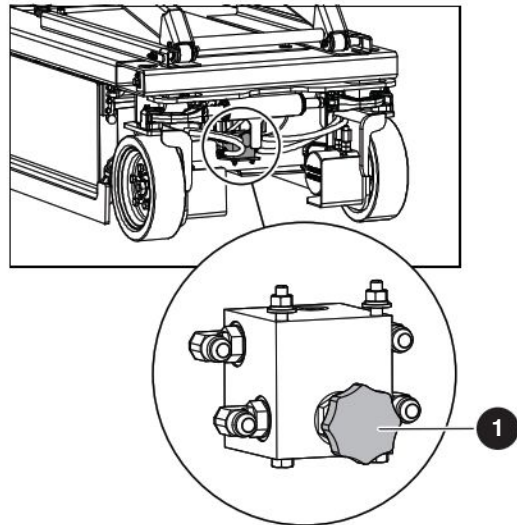


Figure 11 Freewheeling valve at the front of the base (SJ3215, and SJ3219)

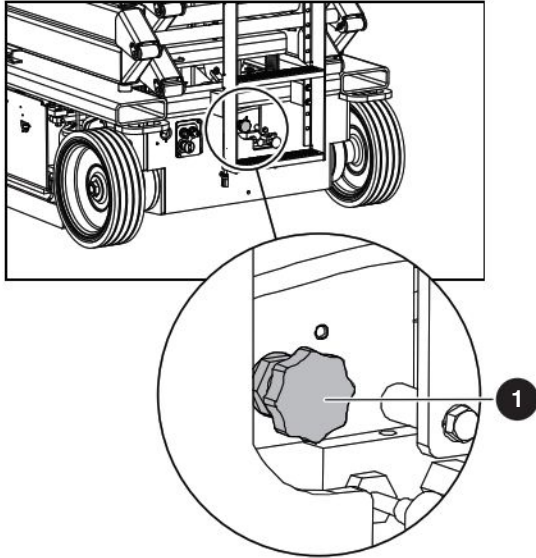


Figure 12 Freewheeling valve at the rear side of the base (SJ3220, SJ3226, SJ4726, SJ4732, and SJ4740)

IMPORTANT

Make sure you tightly close the freewheeling valve, before you operate the MEWP.

6.3 Release the brakes manually

WARNING

Do not manually disengage the brakes if the MEWP is on a slope. If you do not obey, there is a risk of death or serious injury.

1. Make sure that the MEWP is on firm, level ground.
2. Use wheel chocks or blocks at the front and rear of the wheels to prevent MEWP movement.
3. Turn the **main power disconnect** switch to the off position.
4. Open the **freewheeling valve**. Refer to [Section 6.2](#).
5. For pin brakes (SJ3215, SJ3219, SJ3220, SJ3226, SJ4726, SJ4732):
 - a. Turn the left pin brake block 90° clockwise with a 19 mm (3/4 in) wrench to release it. The brake pin must not touch the brake disc.

- b. Turn the right pin brake block 90° counterclockwise with a 19 mm (3/4 in) wrench to release it. The brake pin must not touch the brake disc.

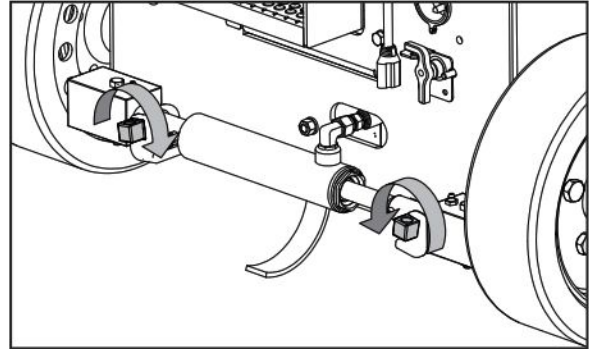


Figure 13 Brake release block (pin brakes)

6. For disc brakes (SJ4740 only):
 - a. Push the **plunger ①** of the brake auto-reset valve on the drive manifold at the rear side of the base.
 - b. Continuously push and release the **knob ②** of the hand pump until a firm resistance is felt. The brake is released.

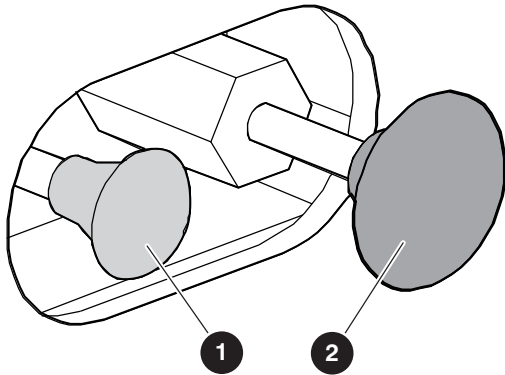


Figure 14 Drive manifold (disc brakes)

6.4 Winch and tow the MEWP

WARNING

Tip-over hazard. Make sure that platform is fully lowered before you push, winch or tow. Sudden movement can cause the MEWP to become unstable. If you do not obey, there is a risk of death or serious injury.

WARNING

Tip-over hazard. In emergency situations, where the MEWP functions are unavailable, and an obstruction prevents the platform lower function, carefully move the MEWP. Move the MEWP sufficiently far away to clear the obstruction. Do not move at a speed faster than 50 mm/sec (2 in/sec). If you do not obey, there is a risk of death, serious injury, and/or MEWP damage.

WARNING

When you push, winch or tow, do not move the MEWP at a speed faster than 3.2 km/h (2.0 mph). If you do not obey, there is a risk of death or serious injury.

WARNING

Do not push, winch, or tow the MEWP onto a slope. Only brake the tow vehicle slowly. Do not pull the MEWP down a slope to a winch. Make sure that there are no personnel in the path you plan to travel. If you do not obey, there is a risk of death, serious injury, and/or MEWP damage.

WARNING

Do not manually disengage the brakes if the MEWP is on a slope. If you do not obey, there is a risk of death or serious injury.

WARNING

Tip-over hazard. Disengage the brakes manually before you push, winch, or tow the MEWP. If you do not obey, there is a risk of death or serious injury.

1. Release the brakes manually. Refer to [Section 6.3](#).
 2. Remove the wheel chocks or blocks.
 3. Push, winch, or tow the MEWP to the necessary location.
 4. Put the MEWP on a firm, level surface.
 5. Use wheel chocks or blocks at the front and rear of the wheels to prevent MEWP movement.
 6. For pin brakes (SJ3215, SJ3219, SJ3220, SJ3226, SJ4726, SJ4732):
 - a. Turn the left **pin brake block** 90° counterclockwise with a 19 mm (3/4 in) wrench to re-engage it.
 - b. Turn the right **pin brake block** 90° clockwise with a 19 mm (3/4 in) wrench to re-engage it.
- For disc brakes (SJ4740 only):
1. Pull out the **plunger** of the brake auto-reset valve to re-engage the brakes.

WARNING

Engage the brakes immediately after the MEWP is at the necessary location. If you do not obey, there is a risk of death or serious injury.

7. Turn the **freewheeling valve** knob clockwise to a fully close position.

6.5 Use the platform control console from the ground

⚠ WARNING

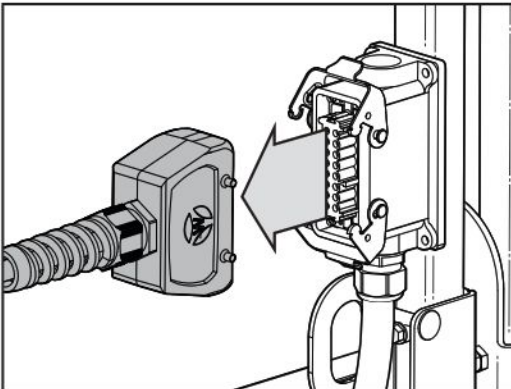
The correct operator location is with the platform control console attached to the right-front side of the platform. Only operate the MEWP from the ground in these conditions:

- To do maintenance
- When you cannot do work safely from the position of the operator on the platform because of an obstruction
- To fold the guardrails.

If you do not obey, there is a risk of death or serious injury.

6.5-1 Disconnect and remove the platform control console

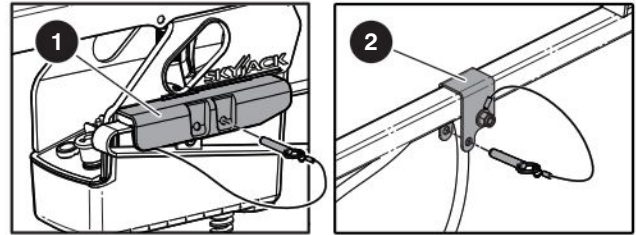
1. Disconnect the platform control console cable from the electrical plug on the platform.



⚠ WARNING

Fall hazard. Use the three points of contact principle when you use the MEWP ladder to enter or exit the platform. If you do not obey, there is a risk of death or serious injury.

2. Use the MEWP ladder to enter the platform.
3. Remove the control console mounting bracket lock-pin ① from the mounting bracket. Remove the platform control console from the mounting bracket.
4. Remove the control cable lock-pin from the railing clamp ②. Remove the control cable from the clamp.



5. Put the platform control console down on the platform floor.
6. Use the MEWP ladder to exit the platform.

6.5-2 Operate the MEWP from the ground

⚠ WARNING

Make sure the operator and the platform control console point in the same direction as the front of the MEWP.

Do not drive the MEWP toward yourself.

Keep away from crush hazards. Stay clear of the MEWP and out of the direction of travel.

When you use a ramp to drive the MEWP on to or remove it from a transport vehicle, make sure all personnel, which includes the operator:

- Stay away from the direction of a possible tip-over of the MEWP.
- Stay out of the path of movement of the MEWP down the ramp.

If you do not obey these instructions, there is a risk of death or serious injury.

⚠ CAUTION

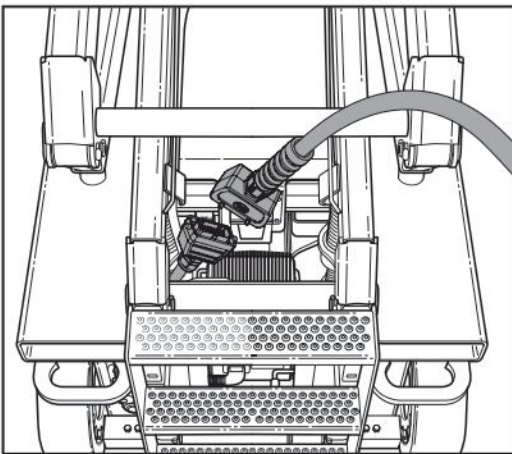
Make sure the platform control console does not become entangled with the MEWP or objects that surround the MEWP. If you do not obey, there is a risk of MEWP damage.

1. Before you operate the MEWP, do a full worksite inspection to identify possible hazards in your work area. Refer to [Section 2.4](#).
2. Cordon-off the pathway you plan to travel.

⚠ WARNING

Crush hazard. Make sure that there are no personnel in the path you will travel. Tell personnel around the path before you move the MEWP. Use a second person to monitor the movement of the MEWP. Make sure that person stays at a safe distance. If you do not obey, there is a risk of death or serious injury.

3. Stay behind or to the side of the MEWP.
4. Connect the **cable** of the platform control console to the **electrical connector** at the rear side of the MEWP.



5. Move the **inclined-drive/level-drive** switch to the inclined-drive position.
6. Use as low a speed as practical to drive the MEWP forward to the necessary location.
7. Push the **emergency-stop** button when the MEWP is at the necessary location.
8. Turn the **main power disconnect** switch to the off position.

⚠ WARNING

Fall hazard. Use the three points of contact principle when you use the MEWP ladder to enter or exit the platform. If you do not obey, there is a risk of death or serious injury.

9. Use the MEWP ladder to enter the platform.

⚠ CAUTION

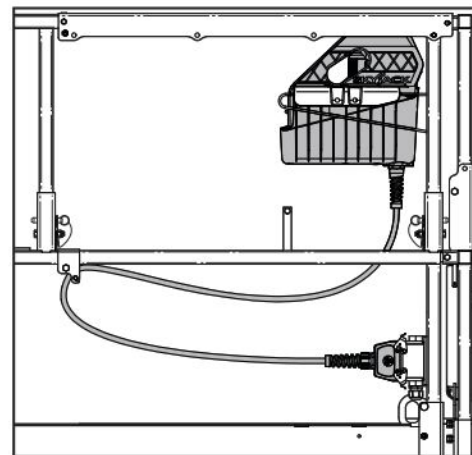
Make sure each lock-pin is correctly installed with the detent ball of each lock-pin fully through the hole.

10. Install the **platform control console** onto the mounting bracket. Install the **lock-pin** in the mounting bracket.
11. Install the **control cable** into the railing clamp and install the **lock-pin**.

⚠ WARNING

Fall hazard. Use the three points of contact principle when you use the MEWP ladder to enter or exit the platform. If you do not obey, there is a risk of death or serious injury.

12. Use the MEWP ladder to exit the platform.
13. Connect the **cable** of the platform control console to the **electrical connector** on the platform.



6.6 Move the MEWP for transport

When you drive a MEWP onto or remove it from a transport vehicle, on a public road, give protection to the person(s) involved. Protection can include:

- Warning cones
- Road signs and signaling devices
- Applicable personal protective equipment, such as reflective clothing
- Flag personnel to warn other vehicles of the MEWP and other related vehicles
- Other applicable control measures.

Obey all the national, state/provincial/territorial, and local safety rules when you move the MEWP for transport. Only qualified personnel with authorization must drive the MEWP on to or remove it from a transport vehicle.

Be sure the vehicle capacity and load equipment, hoists, chains, straps, and other related items are sufficient to withstand the maximum MEWP weight.

Park the transport vehicle on a level surface. Use wheel chocks or blocks to prevent unintended vehicle movement during this operation.

6.6-1 Hoist the MEWP

WARNING

Only qualified riggers must operate the machinery during a lift.

When you hoist the MEWP, you must:

- Turn the **main power disconnect** switch to the off position.
- Close and tightly latch the hydraulic and electric and battery trays.
- Retract the extension platform. Correctly insert the **lock-pins**.
- Attach the **platform control console** to the mounting bracket, or remove the platform control console
- Remove all personnel, tools, and materials from the platform.
- Attach the rigging to all **four lift points ①**, or lift with the forks in the designated **forklift pockets ②**. Refer to [Figure 15](#), [Figure 16](#), and [Figure 17](#).

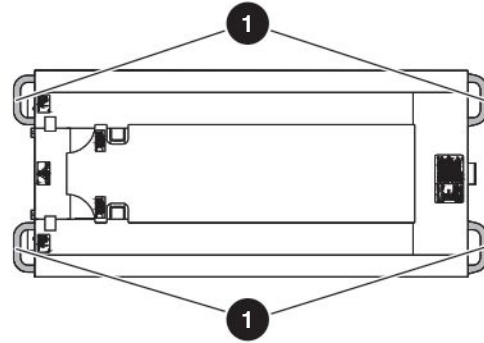


Figure 15 Lift and tie-down points

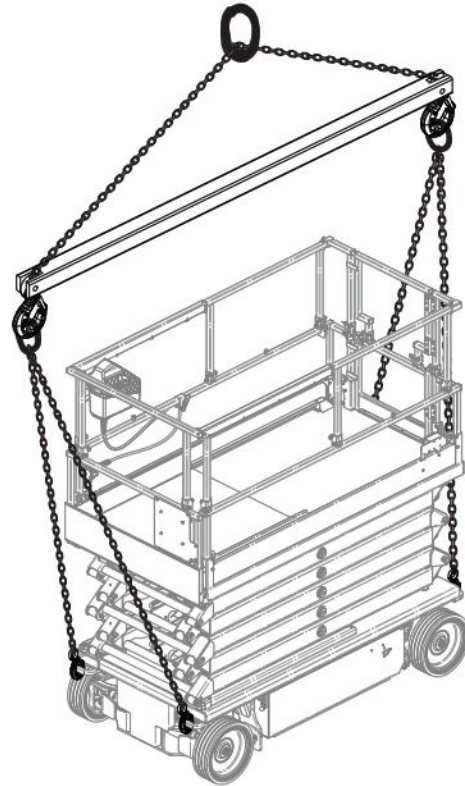


Figure 16 Appropriate method to hoist

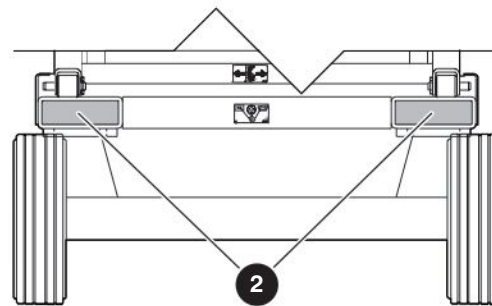


Figure 17 Forklift pockets

NOTE

For the weight of the MEWP, refer to [Section 7.3](#). Horizontally, the **center of gravity** ③ is approximately in the middle of the MEWP, front to back and side to side. Refer to [Figure 18](#). Vertically, the center of gravity is approximately a small distance above the chassis.

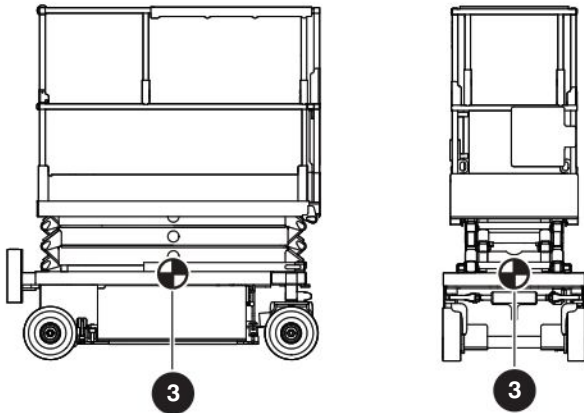


Figure 18 Center of gravity

6.6-2 Drive and tie-down the MEWP

Before you drive the MEWP:

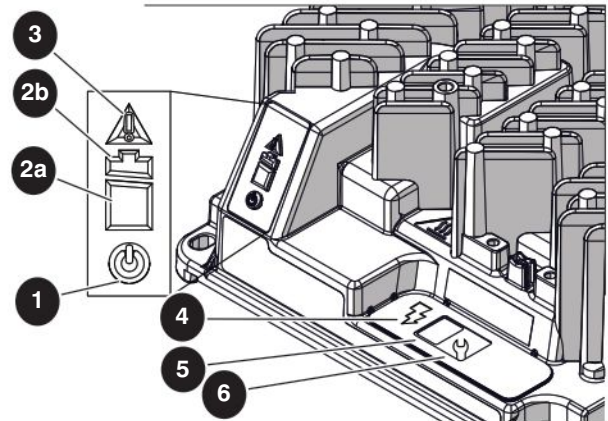
- The ramp or dock capacity must be able to hold the maximum MEWP weight.
- Use side guards (if available) to prevent a fall from the ramp.
- The incline of the ramp must not exceed the MEWP gradeability. Refer to [Section 7.3](#).
- Do a test of the MEWP brakes to make sure they operate correctly.
- Move the **inclined-drive/level-drive** switch to the inclined-drive (low speed/high torque) position.

WARNING

When you transport the MEWP, it must be attached to a truck or trailer deck. Use the available tie-down points ① to attach the MEWP. Refer to [Figure 15](#). If you do not obey, there is a risk of death or serious injury.

- Tie-down the MEWP to the transport vehicle using the four tie-down points ①. Refer to [Figure 15](#).

6.7 Charge the Battery



No.	Indicator type	Condition	Description
①	AC power	Blue	Battery charger is connected to the AC power.
②a	Battery charge <80%	Green flash	Low charge— continue to charge.
		Solid green	High charge— continue to charge.
②b	Battery charge >80%	Green flash	High charge— continue to charge or stop the charge.
		Solid green	Charge complete— stop the charge.
③	Fault/ error	Solid red	Charger fault—refer to the service manual.
		Amber flash	Error found—refer to the service manual.
④	Charge output	Solid yellow	Charger output is on.
⑤	Charge profile/ error display	Algorithm or fault/ error code	N/A.
⑥	Select charge profile	Charge algorithm	N/A.

⚠ WARNING

Electrocution hazard. Do not put the charger in water. If you do not obey, there is a risk of death or serious injury.

⚠ CAUTION

Burn hazard. Do not touch the surface of the charger when it is in operation, especially in higher temperature environments. Let the charger cool before you touch it. If you do not obey, there is a risk of death or serious injury.

1. Supply sufficient airflow for the batteries and the charger.

NOTE

Do not let materials or fabric be on the charger. It is necessary for the charger to have access to cool air for it to operate correctly. Clean the charger cooling fins if they are clogged with debris to make sure the charger functions at its best.

2. Do a visual and manual inspection of the DC output wires and terminals. Make sure they are in good condition before each use.

⚠ WARNING

Explosion hazard. Be careful when you use fuels, solvents, or other flammable materials near the charger or batteries. A spark from the charger or batteries can cause a fire or explosion. If you do not obey, there is a risk of death or serious injury.

3. Connect the power supply cable to a correctly grounded socket between 100 to 240 VAC, 50/60 Hz. The charger automatically senses and adjusts to the voltage range of the AC input.

NOTE

The charger starts automatically in 4-6 seconds, regardless of the remaining battery charge (down to 1 VDC terminal voltage). The LEDs show that the charge continues.

NOTE

Many conditions have an effect on the battery charge time. These include: the battery amp-hour capacity, the remaining charge, the temperature, and the condition (new, used, and defective). More time is necessary to charge batteries that are larger than 240 AH.

⚠ WARNING

Explosion hazard. Do not disconnect the DC output wires near the batteries when the charger is ON. This can cause an arc, which can then cause the batteries to explode. You must disconnect the AC power supply cable from its socket, and then the charger DC connections. If you do not obey, there is a risk of death or serious injury.

⚠ WARNING

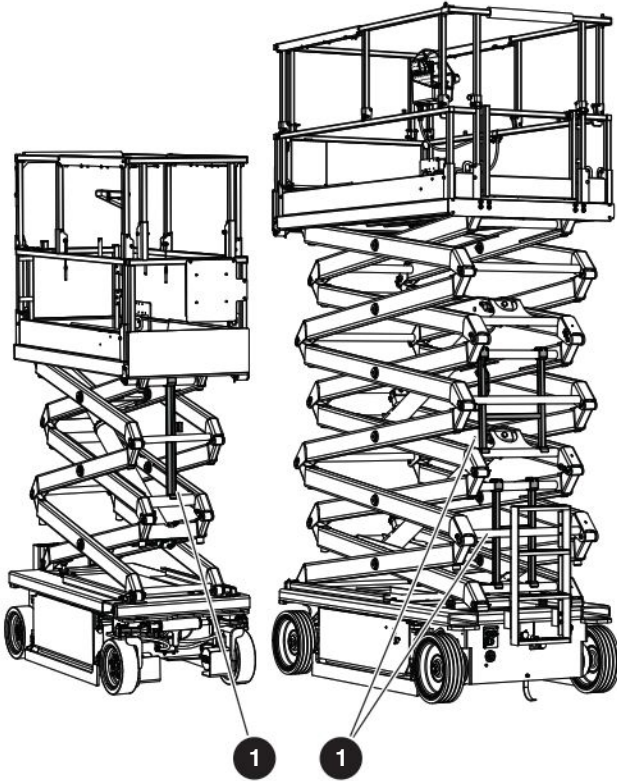
Electrocution hazard. Do not touch parts of the charger output wires that are not insulated, the battery connector, or the battery terminals. If you do not obey, there is a risk of death or serious injury.

⚠ WARNING

Do not charge the batteries in hazardous areas.

6.8 Use the Maintenance Support(s)

Maintenance support(s) ① are a mechanism on the scissor assembly. When they are in the correct position, they can hold the scissor assembly and an empty platform.



⚠ WARNING

Use the maintenance support(s) when you do an inspection and/or maintenance or repairs in the confines of the lift mechanism. If you do not use the supports, there is a risk of death or serious injury.

⚠ WARNING

Crush hazard. Do not put parts of your body through the scissor assembly unless the maintenance support(s) are correctly deployed. If you do not obey, there is a risk of death or serious injury.

6.8-1 Deploy the maintenance support(s)

1. Remove all personnel and material from the platform.

⚠ WARNING

Look for overhead obstructions or other possible hazards around the MEWP when you raise the platform. Do not lower the platform unless the area below is clear of personnel and obstructions. If you do not obey, there is a risk of death or serious injury.

2. Raise the platform until there is adequate clearance to deploy the **maintenance support(s)** ①.
3. For SJ3215, SJ3219, SJ3220, SJ3226, SJ4726, SJ4732:
Deploy the **maintenance support**.
4. For SJ4740 only:
 - a. Deploy the **lower maintenance support**.
 - b. Deploy the **top maintenance support**.
5. Lower the platform until the **maintenance support(s)** touch the cross members with labels, and the platform stops.
6. Turn the **main power disconnect** switch to the off position.

6.8-2 Store the maintenance support(s)

1. Turn the **main power disconnect** switch to the on position.

WARNING

Look for overhead obstructions or other possible hazards around the MEWP when you raise the platform. Do not lower the platform unless the area below is clear of personnel and obstructions. If you do not obey, there is a risk of death or serious injury.

2. Raise the platform until there is adequate clearance to retract the **maintenance support(s)**.
3. For SJ3215, SJ3219, SJ3220, SJ3226, SJ4726, SJ4732
Retract the **lower maintenance support** into the storage bracket.
4. For SJ4740 only:
 - a. Retract the **top maintenance support** into the storage bracket.
 - b. Retract the **lower maintenance support** into the storage bracket.
5. Fully lower the platform.

6.9 Guardrail lock-pin locations

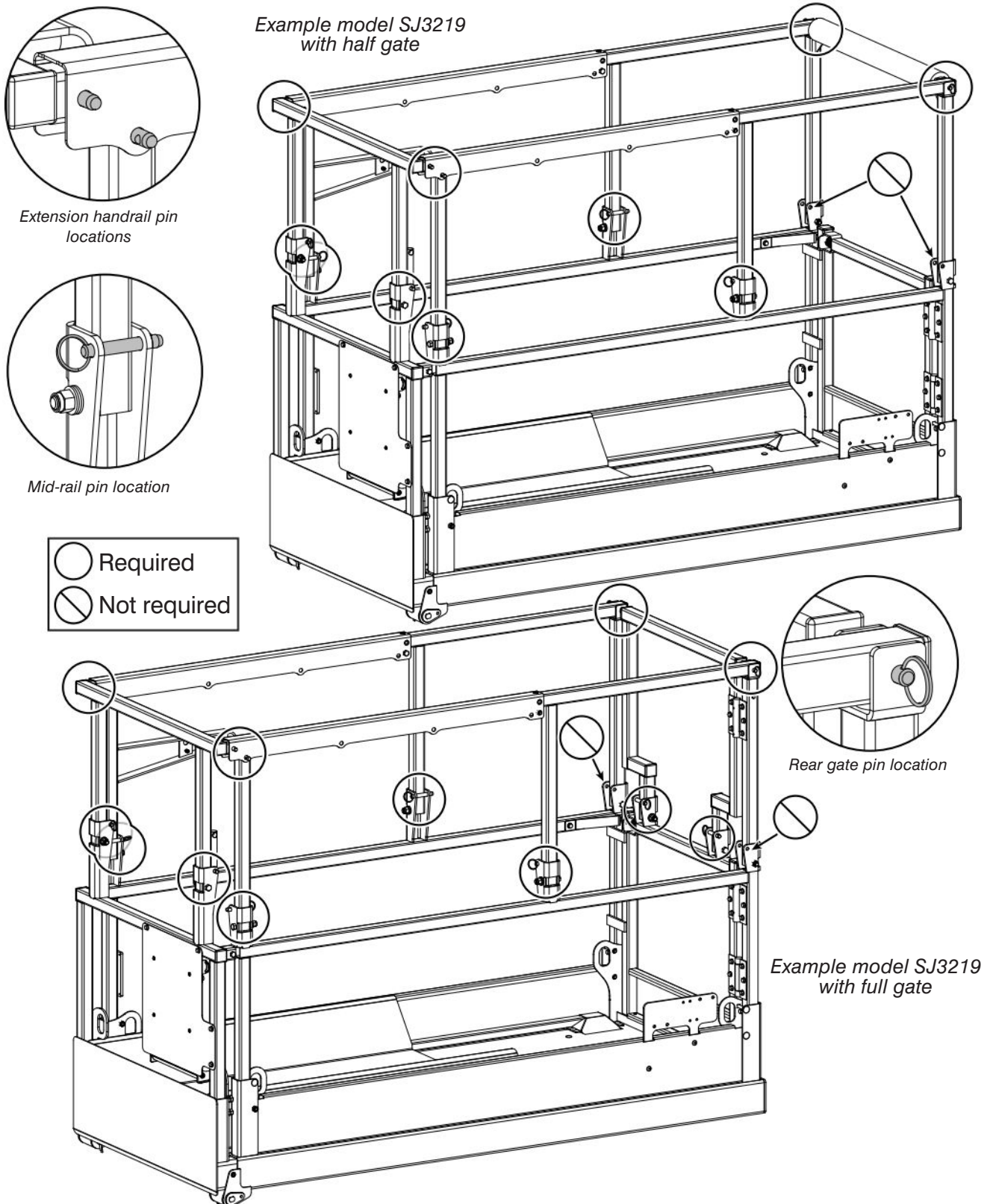


Figure 19 Guardrail lock-pin locations - SJ3215, SJ3219, SJ3220, SJ3226

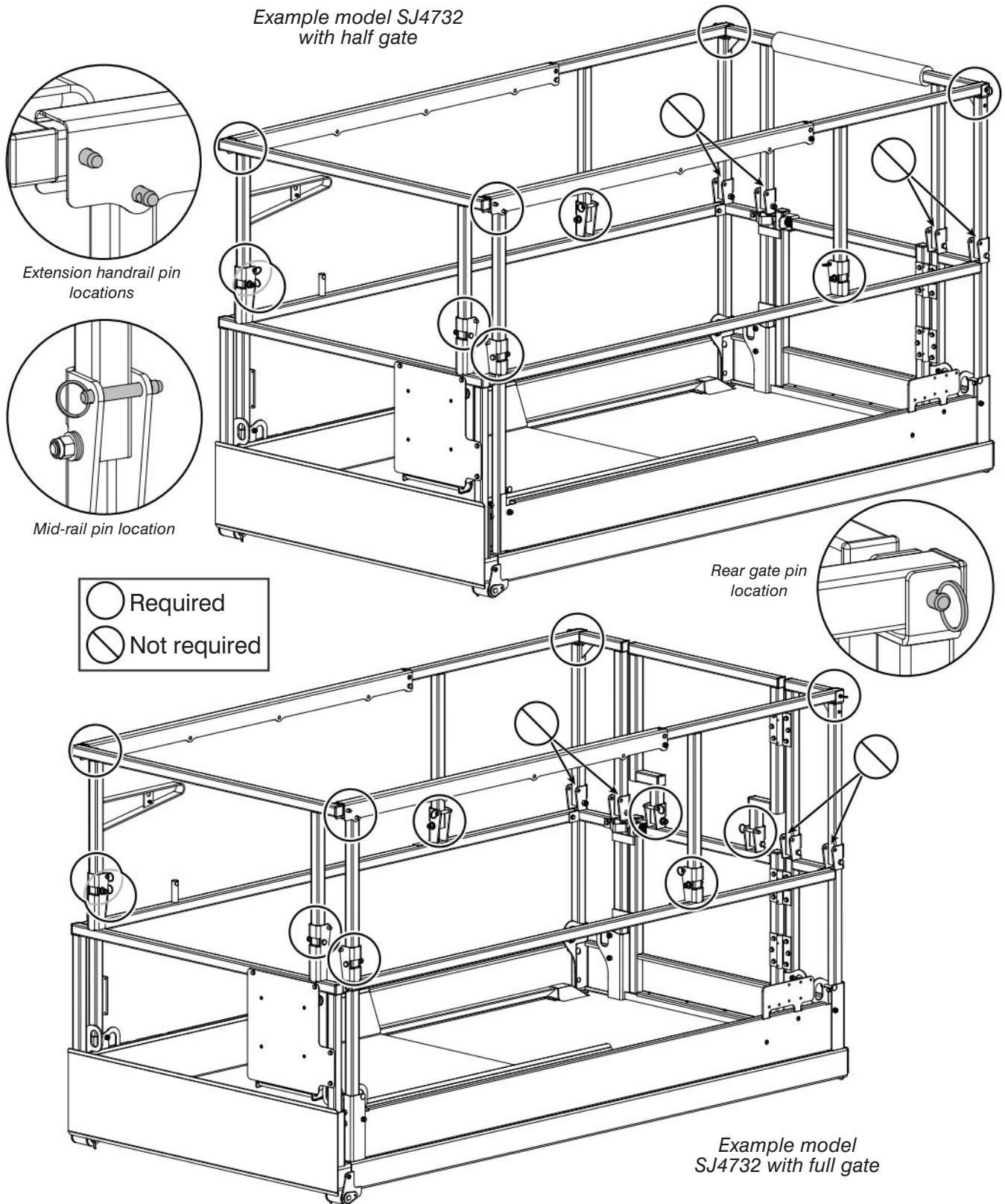


Figure 20 Guardrail lock-pin locations - SJ4726, SJ4732

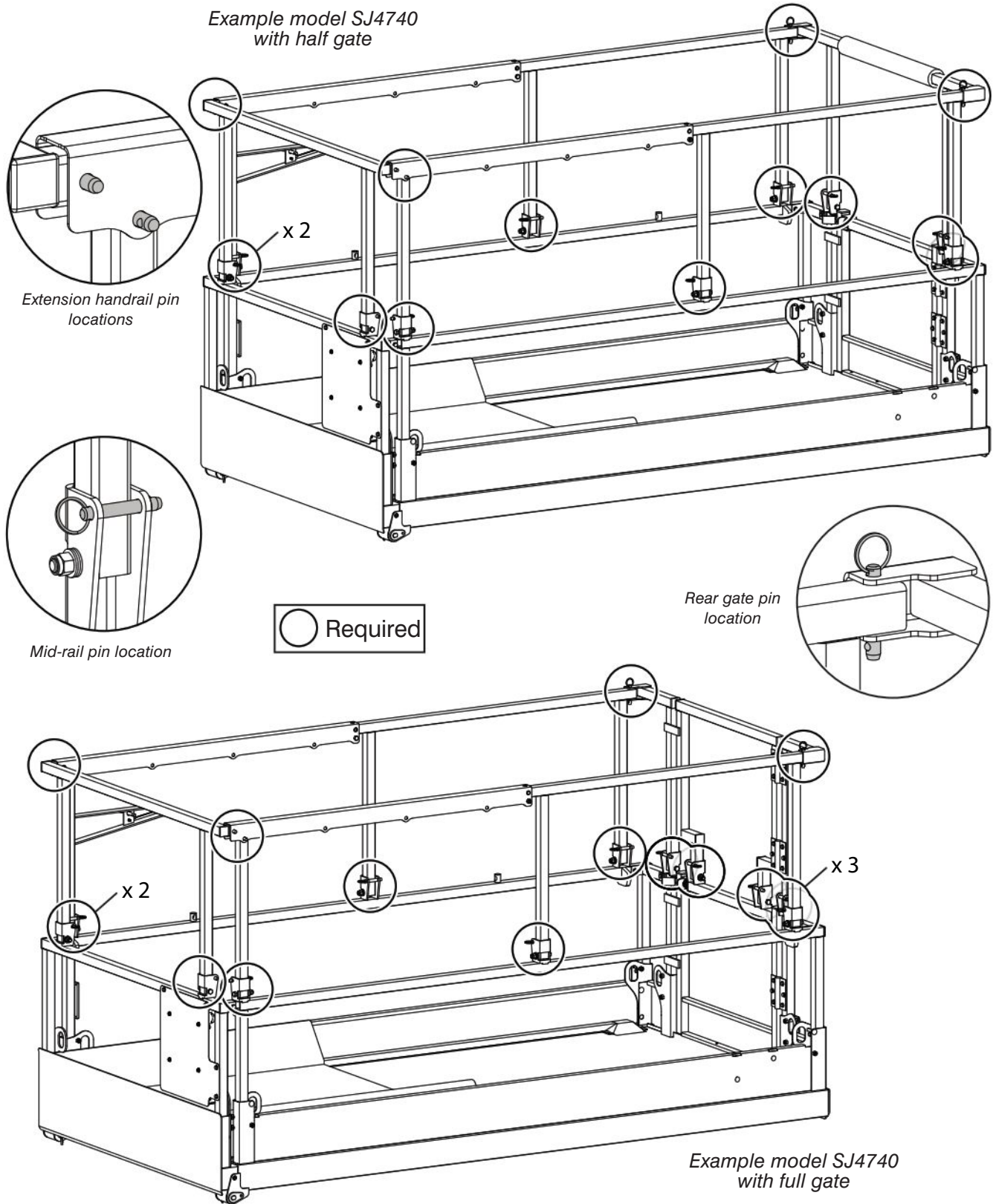
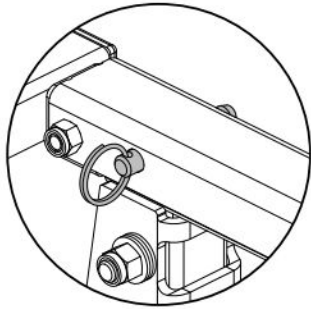
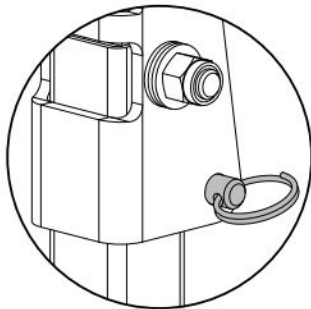


Figure 21 Guardrail lock-pin locations - SJ4740



Extension handrail pin locations



Top-rail pin locations

Example model SJ3219
with full gate

Not applicable to
half gate option

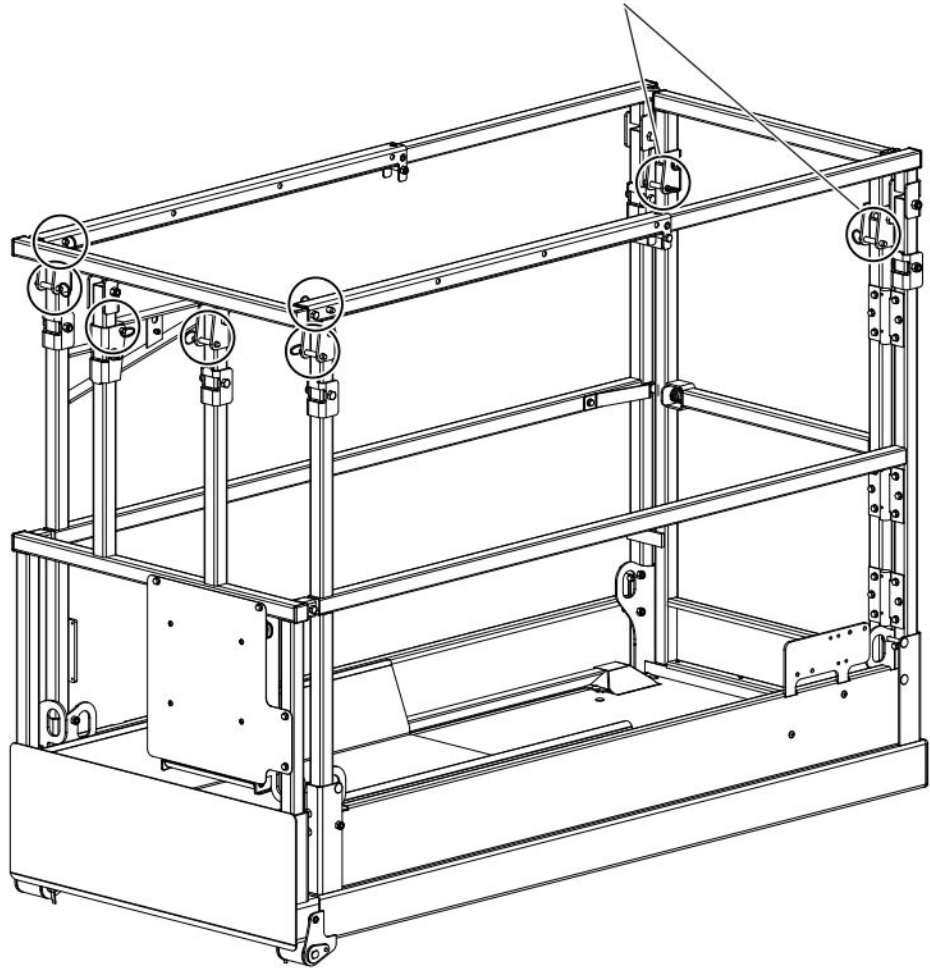


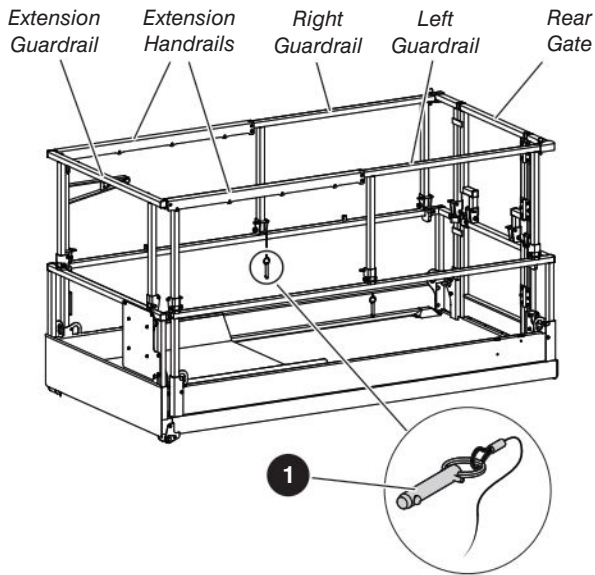
Figure 26 Rapidfold Guardrail lock-pin locations - SJ3219

6.10 Fold the guardrails

When folded down, the guardrail system decreases the total height of the retracted MEWP for transport or moving through doorways.

⚠ WARNING

Fall hazard. To prevent a fall, keep away from the sides of the platform when you fold or unfold the guardrails. If you do not obey, there is a risk of death or serious injury.



- 1 Guardrail lock-pin with lanyard: Use this pin to lock the guardrails. Refer to [Section 6.9](#).

⚠ WARNING

Fall hazard. Fully lower the platform before you fold or unfold the guardrails. If you do not obey, there is a risk of death or serious injury.

⚠ WARNING

Before you operate this MEWP, make sure that the guardrail system does not have loose or missing lock-pins. The guardrail system must be in the vertical position. Lock all pins correctly. An incorrectly locked guardrail can cause a fall, which can result in death or serious injury.

6.10-1 Fold the guardrail system down (SJ3215, SJ3219, SJ3220, SJ3226, SJ4726, SJ4732)

NOTE

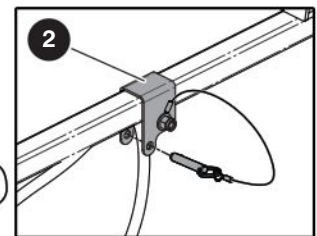
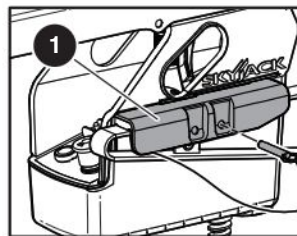
For SJ3219 Rapidfold, refer to [Section 6.10-3](#).

1. Make sure the MEWP is on firm, level ground.
2. Make sure you fully lower the platform.
3. Push the **emergency-stop** button on the base control console.
4. Turn the **main power disconnect** switch to the off position.

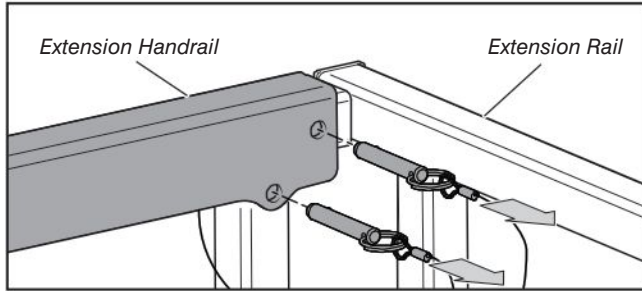
⚠ WARNING

Fall hazard. Use the three points of contact principle when you use the MEWP ladder to enter or exit the platform. If you do not obey, there is a risk of death or serious injury.

5. Use the MEWP ladder to enter the platform.
6. Close the gate.
7. Make sure you fully retract the extension platform.
8. For SJ3226 only:
 - a. Loosen the **wing screw** from the top bracket of the dual height control console.
 - b. Put the **dual height control console** down on the platform floor.
9. Remove the **lock-pins** from the control console mounting bracket 1.
10. Remove the **lock-pins** from the **railing clamp** 2. Remove the control cable from the railing clamp.



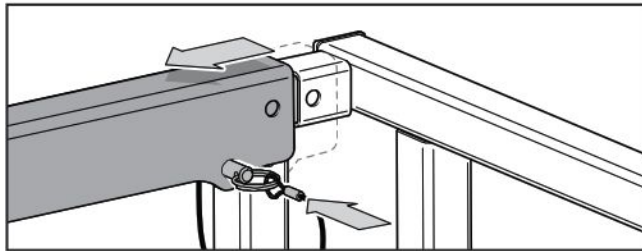
11. Put the **platform control console** down on the platform floor.
12. Remove the **lock-pins** from the extension handrails.



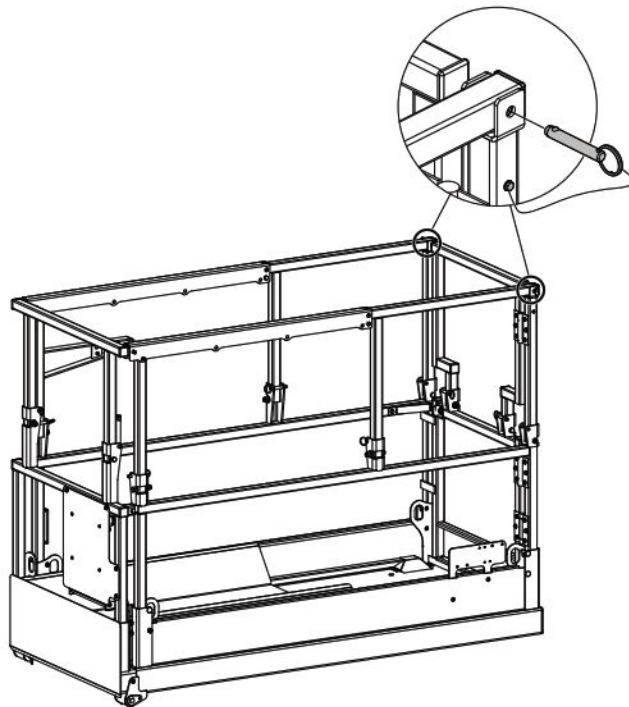
CAUTION

Install each lock-pin correctly with the detent ball of each lock-pin fully through the bracket or railing clamp. If you do not obey, there is a risk of machine damage.

13. Pull the extension handrails, and install only the lower **lock-pin** to lock the extension handrails.



14. Remove the **lock-pins** on the top rear gate.



WARNING

Fall hazard. Use the three points of contact principle when you use the MEWP ladder to enter or exit the platform. If you do not obey, there is a risk of death or serious injury.

15. Use the MEWP ladder to exit the platform.

WARNING

Fall hazard. Use a stable elevated surface that gives you a solid footing to fold or unfold the guardrails. You must be at eye-level height (at a minimum) to the mid-rail. You must have your hands free to fold or unfold the guardrails from the external side of the MEWP. If you do not obey, there is a risk of death or serious injury.

16. For MEWPs with full gate only: Remove the remaining **lock-pins** from the rear mid-rail:
17. Hold the rear mid-rail with one hand, and then fold the rear gate with the other hand. Refer to [Figure 22](#) for the hand positions.
18. For MEWPs with full gate only: Put a tie-wrap on the rear-right railing bar to prevent movement.
19. Install the **lock-pins** to lock the rear mid-rail.

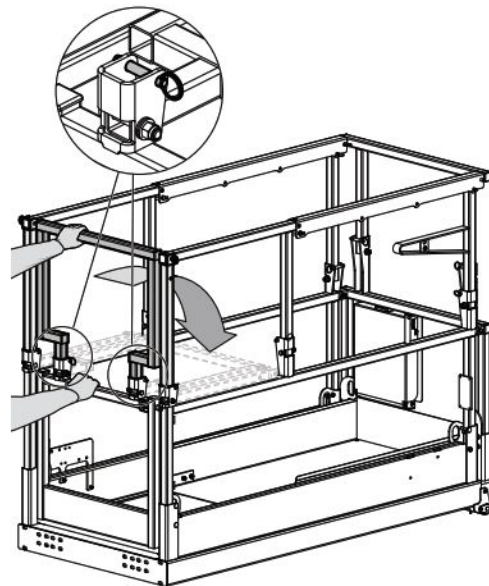
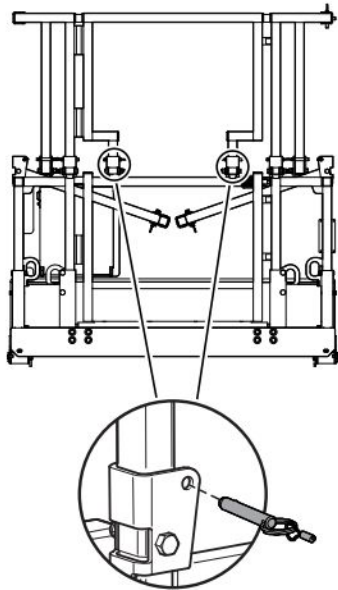


Figure 22 Rear gate folded

NOTE

MEWPs with the full gate (optional equipment) have two pins on the rear gate.



20. Remove the **lock-pins** on the front-left mid-rail.
21. Remove the **lock-pins** on the center-left mid-rail.
22. Hold the vertical bar of the extension guardrail with one hand, and then fold the left guardrail with the other hand (refer to [Figure 23](#) for hand positions).
23. Install the **lock-pins** to lock the left mid-rail.

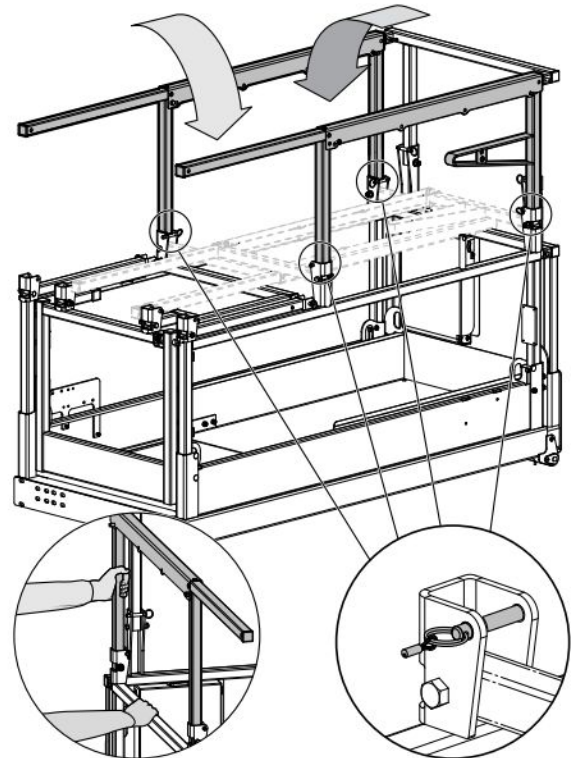
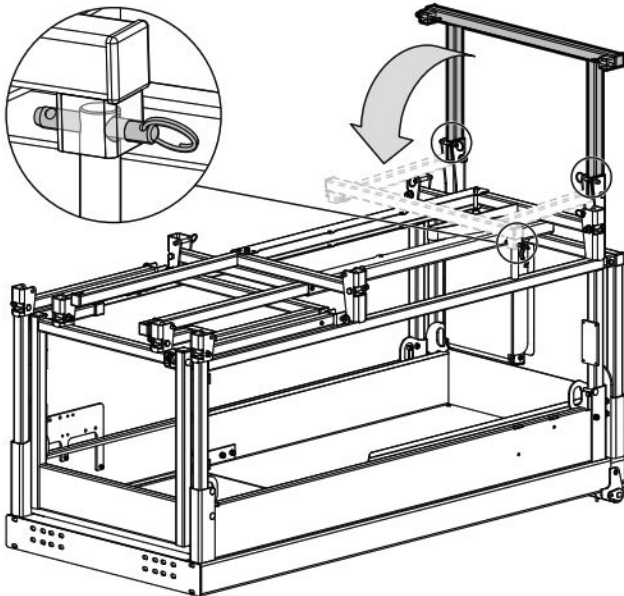


Figure 23 Left and right guardrail folded

24. Remove the **lock-pins** on the front-right mid-rail.
25. Remove the **lock-pins** on the center-right mid-rail.
26. Hold the vertical bar of the extension guardrail with one hand, and then fold the right guardrail with the other hand. Refer to [Figure 23](#) for hand positions.
27. Install the **lock-pins** to lock the right mid-rail.
28. Remove the **lock-pins** from the extension mid-rail.

29. Hold the mid-rail of the extension guardrail with one hand, and then fold the extension guardrail with the other hand. Refer to *Figure 22* for the hand positions.
30. Install the **lock-pin** to lock the extension guardrail.



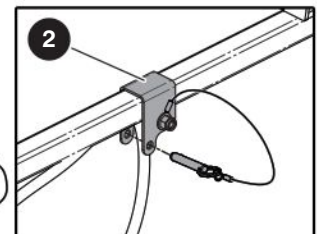
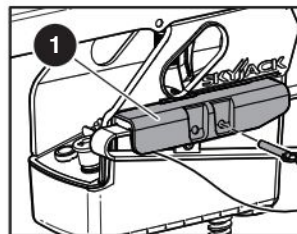
6.10-2 Fold the guardrail system down (SJ4740)

1. Make sure the MEWP is on firm, level ground.
2. Make sure you fully lower the platform.
3. Push the **emergency-stop** button on the base control console.
4. Turn the **main power disconnect** switch to the off position.

⚠ WARNING

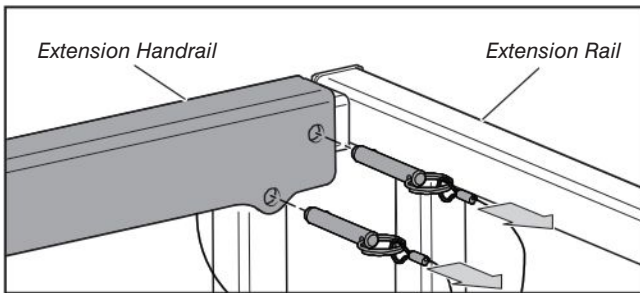
Fall hazard. Use the three points of contact principle when you use the MEWP ladder to enter or exit the platform. If you do not obey, there is a risk of death or serious injury.

5. Use the MEWP ladder to enter the platform.
6. Close the gate.
7. Make sure you fully retract the extension platform.
8. Loosen the **wing screw** from the top bracket of the dual height control console.
9. Put the **dual height control console** down on the platform floor.
10. Remove the **lock-pins** from the control console mounting bracket **1**.
11. Remove the **lock-pins** from the **railing clamp** **2**. Remove the control cable from the railing clamp.



12. Put the **platform control console** down on the platform floor.

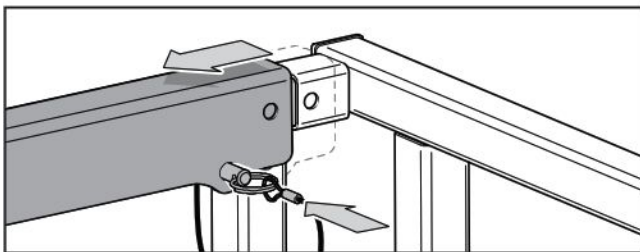
- Remove the **lock-pins** from the extension handrails.



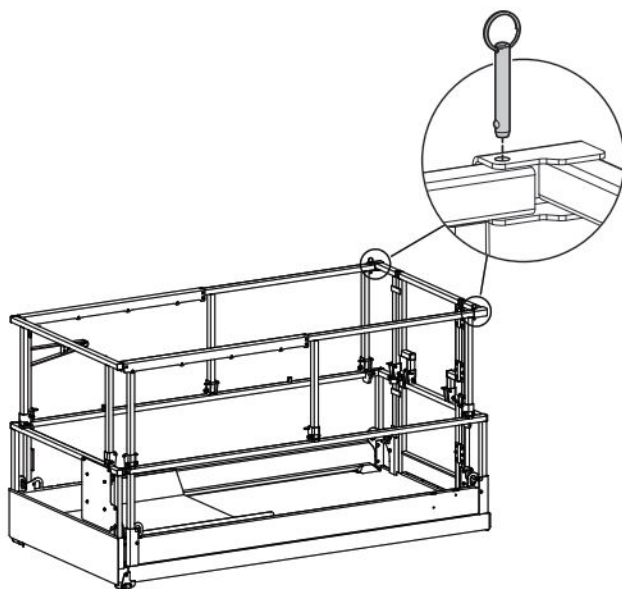
CAUTION

Install each lock-pin correctly with the detent ball of each lock-pin fully through the bracket or railing clamp. If you do not obey, there is a risk of machine damage.

- Pull the extension handrails, and install only the lower **lock-pin** to lock the extension handrails.



- Remove the **lock-pins** on the top rear gate.



WARNING

Fall hazard. Use the three points of contact principle when you use the MEWP ladder to enter or exit the platform. If you do not obey, there is a risk of death or serious injury.

- Use the MEWP ladder to exit the platform.

WARNING

Fall hazard. Use a stable elevated surface that gives you a solid footing to fold or unfold the guardrails. You must be at eye-level height (at a minimum) to the mid-rail. You must have your hands free to fold or unfold the guardrails from the external side of the MEWP. If you do not obey, there is a risk of death or serious injury.

- Remove the **lock-pins** on the front-left mid-rail.
- Remove the **lock-pins** on the center-left mid-rail.
- Remove the **lock-pin** on the rear-left mid-rail.
- Hold the vertical bar of the extension guardrail with one hand, and then fold the left guardrail with the other hand (refer to [Figure 24](#) for hand positions).
- Install the **lock-pins** to lock the left mid-rail.

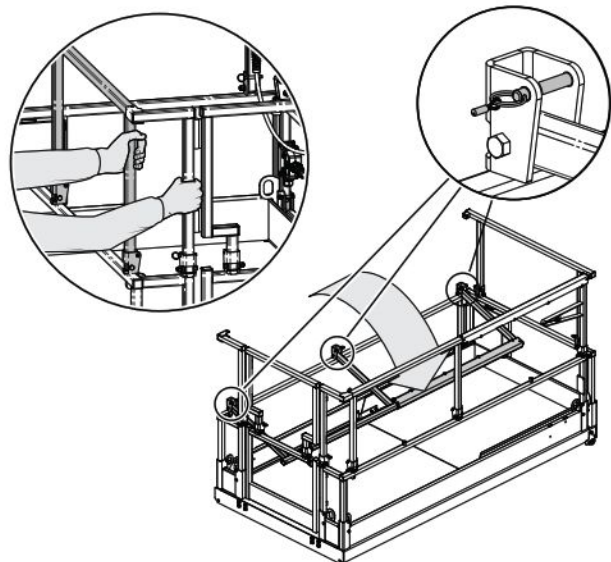
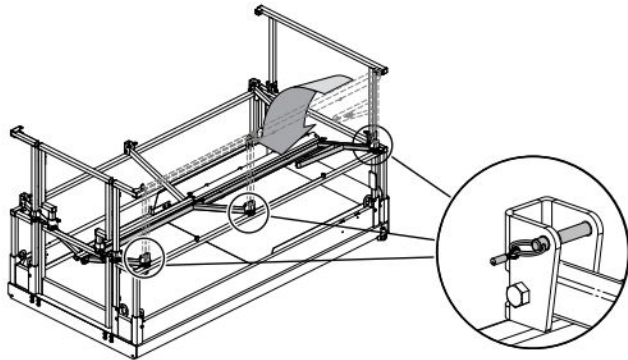


Figure 24 Left guardrail folded

22. Remove the **lock-pins** on the front-right mid-rail.
23. Remove the **lock-pins** on the center-right mid-rail.
24. Remove the **lock-pin** on the rear-right mid-rail.
25. Hold the vertical bar of the extension guardrail with one hand, and then fold the right guardrail with the other hand. Refer to [Figure 24](#) for hand positions.
26. Install the **lock-pins** to lock the right mid-rail.



27. Remove the remaining **lock-pins** from the rear mid-rail:
28. Hold the rear mid-rail with one hand, and then fold the rear gate with the other hand. Refer to [Figure 25](#) for the hand positions.
29. Install the **lock-pins** to lock the rear mid-rail.

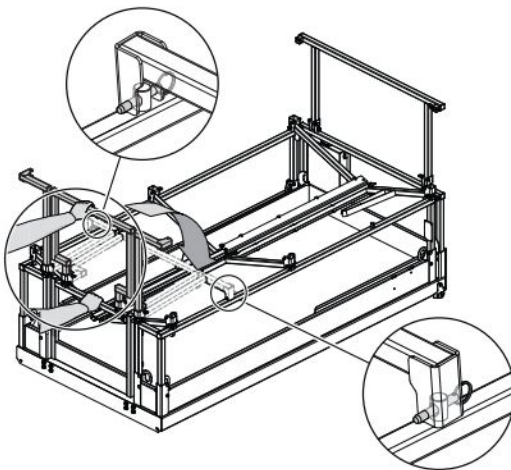
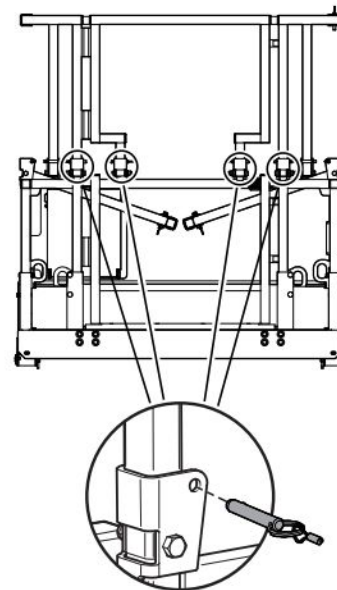


Figure 25 Rear gate folded

30. Install the **lock-pins** (x 2 or x 4) on the rear gate.

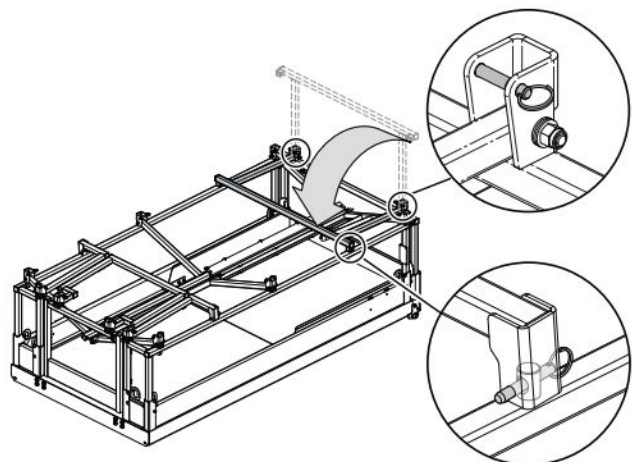
NOTE

MEWPs with a half gate have two pins on the rear gate. MEWPs with the full gate (optional equipment) have four pins on the rear gate. Refer to [Section 6.9](#).



×2 or ×4

31. Remove the **lock-pins** from the extension mid-rail.
32. Hold the mid-rail of the extension guardrail with one hand, and then fold the extension guardrail with the other hand. Refer to [Figure 25](#) for the hand positions.
33. Install the **lock-pins** to lock the extension guardrail.



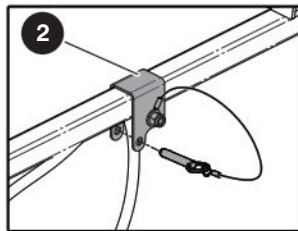
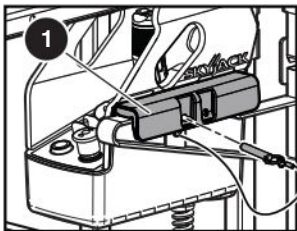
6.10-3 Fold the Rapidfold guardrail system down (SJ3219)

1. Make sure the MEWP is on firm, level ground.
2. Make sure you fully lower the platform.
3. Push the **emergency-stop** button on the base control console.
4. Turn the **main power disconnect** switch to the off position.

⚠ WARNING

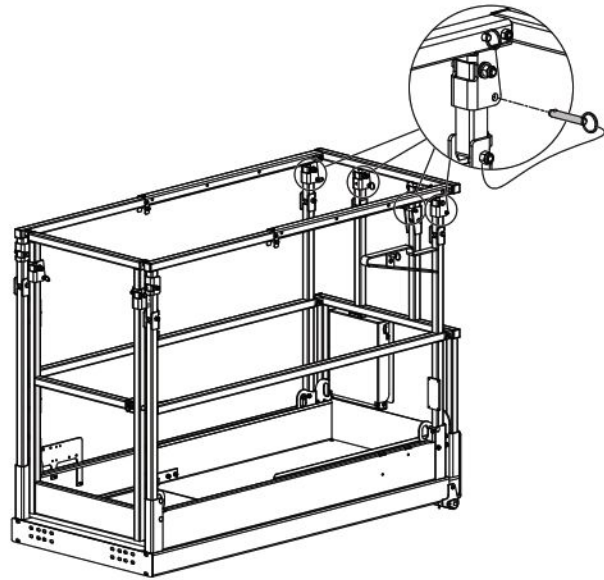
Fall hazard. Use the three points of contact principle when you use the MEWP ladder to enter or exit the platform. If you do not obey, there is a risk of death or serious injury.

5. Use the MEWP ladder to enter the platform.
6. Close the gate.
7. Make sure you fully retract the extension platform.
8. Remove the **lock-pins** from the control console mounting bracket **1**.
9. Remove the **lock-pins** from the **railing clamp** **2**. Remove the control cable from the railing clamp.

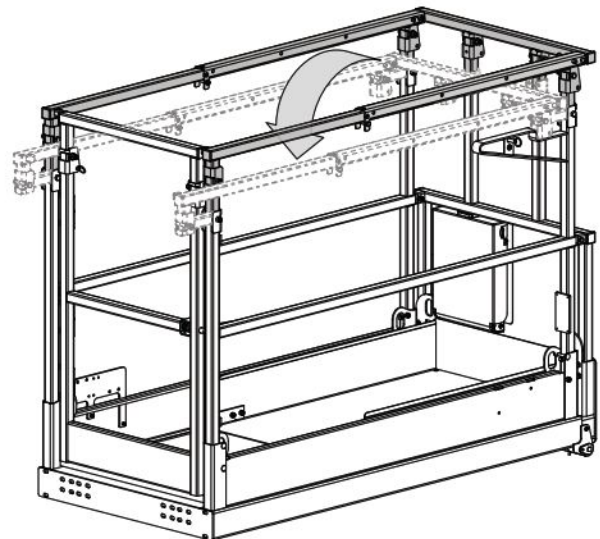


10. Put the **platform control console** down on the platform floor.

11. Remove the **lock-pins** on the extension top-rail.



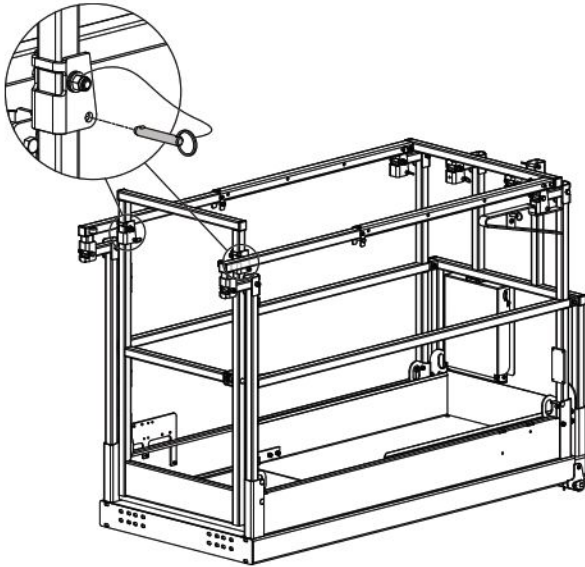
12. Fold the extension top-rail with both hands.



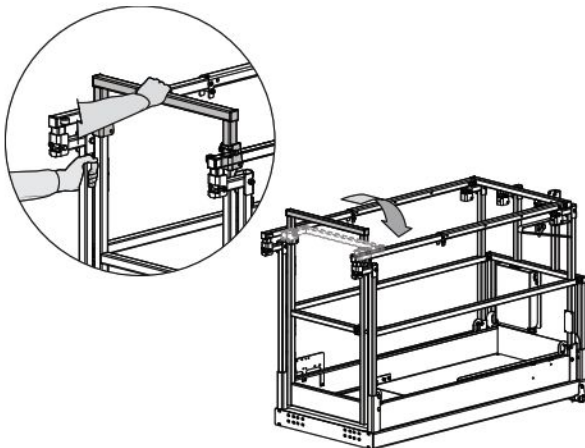
WARNING

Fall hazard. Use the three points of contact principle when you use the MEWP ladder to enter or exit the platform. If you do not obey, there is a risk of death or serious injury.

13. Use the MEWP ladder to exit the platform.
14. Close the gate.
15. For MEWPs with full gate only:
Remove the lock-pins on the gate top-rail.



16. Hold the vertical bar of the entrance guardrail with one hand, and then fold the entrance top-rail with the other hand



NOTE

When you use the Rapidfold for transport, insert all the pins before you transport the MEWP.

6.10-4 Unfold the guardrails (SJ3215, SJ3219, SJ3220, SJ3226, SJ4726, SJ4732)

NOTE

For SJ3219 Rapidfold, refer to [Section 6.10-6](#).

1. Make sure the MEWP is on firm, level ground.
2. Make sure you fully lower the platform.
3. Push the **emergency-stop** button on the base control console.
4. Turn the **main power disconnect** switch to the off position.

WARNING

Fall hazard. Use a stable elevated surface that gives you a solid footing to fold or unfold the guardrails. You must be at eye-level height (at a minimum) to the mid-rail. You must have your hands free to fold or unfold the guardrails from the external side of the MEWP. If you do not obey, there is a risk of death or serious injury.

5. Remove the **lock-pins** from the extension guardrail, the extension mid-rail, the rear guardrail, and the rear mid-rail.
6. For MEWPs with full gate only:
Remove the tie-wrap from the rear-right railing bar.

WARNING

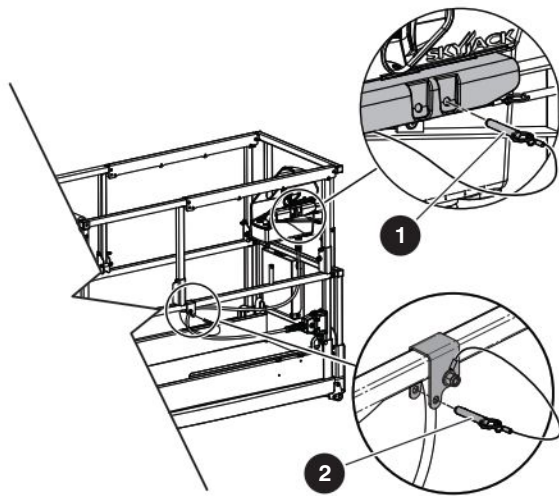
Fall hazard. Install each lock-pin correctly with the detent ball of each lock-pin fully through the guardrail. The guardrail system must be in the vertical position. An incorrectly locked guardrail can cause a fall, which can cause death or serious injury.

7. Unfold the extension guardrail, and install the **lock-pins** on the extension mid-rail.
8. Unfold the right guardrail, and install the **lock-pins** (at the front and center) on the right mid-rail.
9. Unfold the left guardrail, and install the **lock-pins** (at the front and center) on the left mid-rail.
10. Unfold the rear guardrail, and install the **lock-pins** on the rear mid-rail.

WARNING

Fall hazard. Use the three points of contact principle when you use the MEWP ladder to enter or exit the platform. If you do not obey, there is a risk of death or serious injury.

11. Use the MEWP ladder to enter the platform.
12. Close the gate.
13. Install the **lock-pins** on the top rear guardrail.
14. Remove the lower **lock-pins** from the extension handrails.
15. Push the extension handrails, and install all the **lock-pins**. Refer to [Section 6.9, Figure 19](#) and [Figure 20](#).
16. Install the **platform control console** onto the mounting bracket. Install the **lock-pin 1** in the mounting bracket.
17. Put the **cable** of the platform control console into the railing clamp. Install the **lock-pin 2** on the railing clamp.



18. For SJ3226 only:
 - a. Put the **dual height control console** on the top bracket.
 - b. Tighten the **wing screw** from the top bracket of the dual height control console.

WARNING

Before you operate this MEWP, make sure that the guardrail system does not have loose or missing lock-pins. The guardrail system must be in the vertical position. Lock all pins correctly. An incorrectly locked guardrail can cause a fall, which can result in death or serious injury.

6.10-5 Unfold the guardrails (SJ4740)

1. Make sure the MEWP is on firm, level ground.
2. Make sure you fully lower the platform.
3. Push the **emergency-stop** button on the base control console.
4. Turn the **main power disconnect** switch to the off position.

WARNING

Fall hazard. Use a stable elevated surface that gives you a solid footing to fold or unfold the guardrails. You must be at eye-level height (at a minimum) to the mid-rail. You must have your hands free to fold or unfold the guardrails from the external side of the MEWP. If you do not obey, there is a risk of death or serious injury.

5. Remove the **lock-pins** from the extension guardrail, the extension mid-rail, the rear guardrail, and the rear mid-rail.

WARNING

Fall hazard. Install each lock-pin correctly with the detent ball of each lock-pin fully through the guardrail. The guardrail system must be in the vertical position. An incorrectly locked guardrail can cause a fall, which can cause death or serious injury.

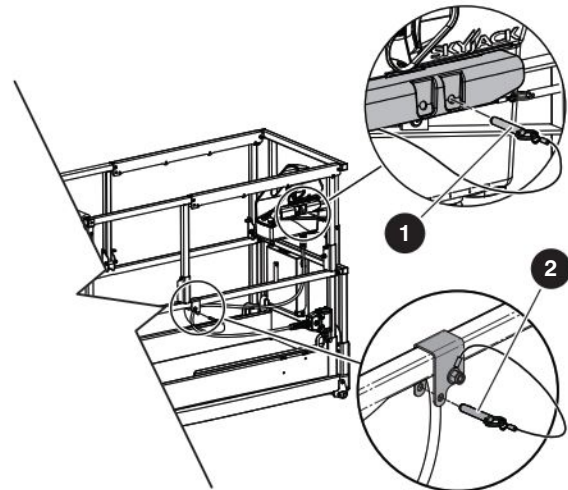
6. Unfold the extension guardrail, and install the **lock-pins** on the extension mid-rail.
7. Unfold the rear guardrail, and install the **lock-pins** on the rear mid-rail.
8. Unfold the right guardrail, and install the **lock-pins** (at the front, center, and rear) on the right mid-rail.
9. Unfold the left guardrail, and install the **lock-pins** (at the front, center, and rear) on the left mid-rail.

WARNING

Fall hazard. Use the three points of contact principle when you use the MEWP ladder to enter or exit the platform. If you do not obey, there is a risk of death or serious injury.

10. Use the MEWP ladder to enter the platform.
11. Close the gate.
12. Install the **lock-pins** on the top rear guardrail.

13. Remove the lower **lock-pins** from the extension handrails.
14. Push the extension handrails, and install all the **lock-pins**. Refer to [Section 6.9 Figure 21](#).
15. Install the **platform control console** onto the mounting bracket. Install the **lock-pin 1** in the mounting bracket.
16. Put the **cable** of the platform control console into the railing clamp. Install the **lock-pin 2** on the railing clamp.



17. Put the **dual height control console** on the top bracket.
18. Tighten the **wing screw** from the top bracket of the dual height control console.

WARNING

Before you operate this MEWP, make sure that the guardrail system does not have loose or missing lock-pins. The guardrail system must be in the vertical position. Lock all pins correctly. An incorrectly locked guardrail can cause a fall, which can result in death or serious injury.

6.10-6 Unfold the Rapidfold guardrails (SJ3219)

1. Make sure the MEWP is on firm, level ground.
2. Make sure you fully lower the platform.
3. Push the **emergency-stop** button on the base control console.
4. Turn the **main power disconnect** switch to the off position.

WARNING

Fall hazard. Install each lock-pin correctly with the detent ball of each lock-pin fully through the guardrail. The guardrail system must be in the vertical position. An incorrectly locked guardrail can cause a fall, which can cause death or serious injury.

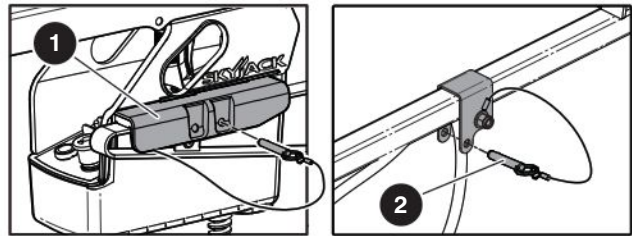
5. For MEWPs with full gate only:
Unfold the gate top-rail, and install the lock-pins on the gate top-rail.

WARNING

Fall hazard. Use the three points of contact principle when you use the MEWP ladder to enter or exit the platform. If you do not obey, there is a risk of death or serious injury.

6. Use the MEWP ladder to enter the platform.
7. Close the gate.
8. Unfold the extension top-rail, and install the lock-pins on the extension top-rail.

9. Install the **platform control console** onto the mounting bracket. Install the **lock-pin 1** in the mounting bracket.
10. Put the **cable** of the platform control console into the railing clamp. Install the **lock-pin 2** on the railing clamp.



WARNING

Before you operate this MEWP, make sure that the guardrail system does not have loose or missing lock-pins. The guardrail system must be in the vertical position. Lock all pins correctly. An incorrectly locked guardrail can cause a fall, which can result in death or serious injury.

6.11 Move the MEWP through a doorway

⚠ WARNING

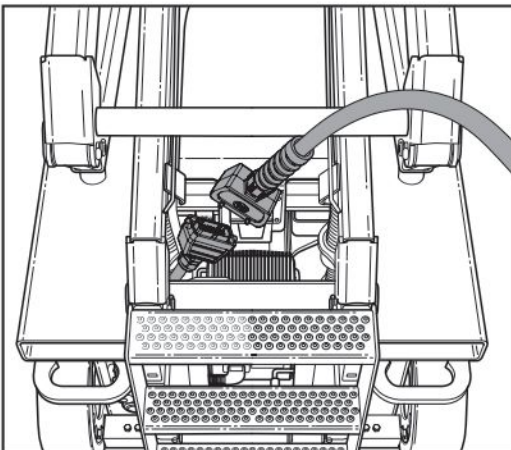
Only do this procedure on level ground. If you do not obey, there is a risk of death or serious injury.

1. Make sure the height/width of the doorway is sufficient to let the MEWP drive through.
2. Before you operate the MEWP, do a full inspection of the site (refer to [Section 2.4](#)). Identify hazards in your work area.
3. Make sure the platform is fully lowered.
4. Follow [Section 6.5-1](#) to disconnect and remove the platform control console.
5. Fold the guardrails if it is necessary. Refer to [Section 6.10](#) for the procedure on how to fold the guardrails.

⚠ WARNING

Crush hazard. Make sure that there are no personnel in the path you will travel. Tell personnel around the path before you move the MEWP. Use a second person to monitor the movement of the MEWP. Make sure that person stays at a safe distance. If you do not obey, there is a risk of death or serious injury.

6. Connect the **platform control console cable** to the **electrical plug** at the rear side of the MEWP.



7. Stay behind the MEWP.
8. Make sure the **platform control console** points in the same direction as the front of the MEWP.
9. Turn the **main power disconnect** switch to the on position.
10. Pull the **emergency-stop** button on the base control console.
11. Turn the **off/platform/base key** switch to the platform position.
12. Pull the **emergency-stop** button on the platform control console.
13. Move the **inclined drive/level drive** switch to the inclined drive (low speed/high torque) position for reduced speed.
14. Move the **lift/off/drive** switch to the drive position.
15. Use as low a speed as practical to drive the MEWP forward through the doorway.
16. Push the **emergency-stop** button when the MEWP is safely through the doorway.
17. Turn the **main power disconnect** switch to the off position.
18. Disconnect the **platform control console** from the rear side of the base, and put it on the platform.
19. Unfold the guardrails if they were folded. Refer to [Section 6.10-4](#) or [Section 6.10-5](#) for the procedure on how to unfold the guardrails.

⚠ WARNING

Before you operate this MEWP, make sure that the guardrail system does not have loose or missing lock-pins. The guardrail system must be in the vertical position. Lock all pins correctly. An incorrectly locked guardrail can cause a fall, which can result in death or serious injury.

 WARNING

Fall hazard. Make sure each lock-pin is correctly installed with the detent ball of each lock-pin fully through the hole. Failure to avoid this hazard could result in death or serious injury.

20. Put the **platform control console** back onto the mounting bracket. Install the **lock-pin** in the mounting bracket.
21. Put the **control cable** into the railing clamp and install the **lock-pin**.

 WARNING

Fall hazard. Use the three points of contact principle when you use the MEWP ladder to enter or exit the platform. If you do not obey, there is a risk of death or serious injury.

22. Use the MEWP ladder to exit the platform.
23. Connect the **platform control console cable** to the **electrical connector** below the platform.

















Section 7 – Specifications

7.1 Standard and optional equipment

Standard Equipment							
24V DC power source (deep cycle batteries)	*	*	*	*	*	*	*
All motion audible alarm	*	*	*	*	*	*	*
Base controls	*	*	*	*	*	*	*
Battery charger indicator	*	*	*	*	*	*	*
Battery level indicator	*	*	*	*	*	*	*
Dual holding brakes	*	*	*	*	*	*	*
Fall protection anchorages	*	*	*	*	*	*	*
Forklift pockets/tie downs/lifting lugs	*	*	*	*	*	*	*
AC socket on platform	*	*	*	*	*	*	*
Hinged rail system	*	*	*	*	*	*	*
Hydraulic oil level indicator	*	*	*	*	*	*	*
Lowering warning system	*	*	*	*	*	*	*
Low voltage battery protection	*	*	*	*	*	*	*
Manual extension platform	*	*	*	*	*	*	*
Operator horn	*	*	*	*	*	*	*
Overload sensing system	*	*	*	*	*	*	*
Platform controls	*	*	*	*	*	*	*
Pothole protection system	*	*	*	*	*	*	*
Spring-loaded half gate entry	*	*	*	*	*	*	*
Swing out trays for easy access	*	*	*	*	*	*	*
Tilt alarm with drive/lift cut out	*	*	*	*	*	*	*
Variable front wheel hydraulic drive	*	*	N/A	N/A	N/A	N/A	*
Optional Equipment							
250 Ah batteries	*	*	*	*	*	*	N/A
AGM batteries	*	*	*	*	*	*	*
Board/drywall carrier	N/A	*	N/A	*	N/A	*	*
Dual flashing lights, diagonal location	*	*	*	*	*	*	*
Flashing light	*	*	*	*	*	*	*
EE rating package	*	*	*	*	*	*	N/A
Heavy duty pipe rack	*	*	*	*	*	*	*
Inverter	*	*	*	*	*	*	*
Light duty pipe rack	*	*	*	*	*	*	*
Locking battery tray	*	*	*	*	*	*	*
Spring-loaded full gate entry	*	*	*	*	*	*	*
Powered extension platform	N/A	N/A	*	N/A	*	N/A	N/A
Telematics harness	*	*	*	*	*	*	*
Tool caddy	*	*	*	*	*	*	*

1335AA

7.2 Owner's Annual Inspection Record

										
 Model _____  SN _____ 										
Inspection Date 										
	20	20	20	20	20	20	20	20	20	20
Inspector Signature 										
										

⚠ WARNING

Do not use the MEWP if there is no inspection recorded in the last 13 months. If you do not obey, there is a risk of death or serious injury.

IMPORTANT

The Owner's Annual Inspection Record on the scissor assembly must be filled out after an annual inspection is completed.

7.3 Specifications

Models	SJ3215	SJ3219	SJ3220	SJ3226	SJ4726	SJ4732	SJ4740
Weight *	1148 kg 2531 lb	1476 kg 3255 lb	1776 kg 3917 lb	1900 kg 4190 lb	2511 kg 5537 lb	2484 kg 5476 lb	2934 kg 6467 lb
Overall width	0.82 m 32.28 in		0.84 m 33 in		1.20 m 47.29 in		
Overall length	1.80 m 70.87 in		2.33 m 91.61 in			2.40 m 94.66 in	
Overall length - RapidFold	-	1.81 m 71.26 in	-				
Platform Size (Inside)	0.65 m x 1.54 m 25.59 in x 60.63 in		0.7 m x 2.10 m 27.56 in x 82.75 in		1.06 m x 2.10 m 41.85 in x 82.75 in		1.06 m x 2.19 m 41.85 in x 86.21 in
Height							
Working Height	6.27 m 21 ft 2 in	7.48 m 24 ft 6 in	7.78 m 25 ft 6.1 in	9.62 m 31 ft 7 in	9.65 m 31 ft 8 in	11.48 m 37 ft 8 in	13.69 m 44 ft 11 in
Platform Elevated Height	4.44 m 14 ft 7 in	5.65 m 18 ft 6 in	5.95 m 19 ft 6.1 in	7.79 m 25 ft 7 in	7.71 m 25 ft 7 in	9.65 m 31 ft 8 in	11.86 m 38 ft 11 in
Stowed Height (Railings Down)	1.67 m 65.75 in	1.79 m 70.47 in	1.75 m 68.96 in	1.93 m 76.08 in	1.90 m 74.84 in	1.99 m 78.45 in	2.03 m 79.76 in
Stowed Height - RapidFold (Railings Down)	-	2.02 m 79.70 in	-				
Stowed Height (Railings Up)	2.03 m 79.92 in	2.14 m 84.25 in	2.10 m 82.85 in	2.29 m 89.95 in	2.29 m 89.95 in	2.38 m 93.58 in	2.53 m 99.53 in
Drive Height	FULL						
Standard Operating Times							
Lift Time (No Load)	15 s	15 s	24 s	45 s	46 s	47 s	61 s
Lower Time (No Load)	22 s	32 s	32 s	49 s	43 s	36 s	48 s
Lift Time (Rated Load)	17 s	17 s	28 s	47 s	52 s	50 s	68 s
Lower Time (Rated Load)	16 s	24 s	24 s	41 s	32 s	30 s	41 s
Chassis							
Normal Drive Speed	3.38 km/h 2.1 mph		3.88 km/h 2.4 mph		3.24 km/h 2.0 mph		3.0 km/h 1.9 mph
Elevated Drive Speed	1.13 km/h 0.7 mph		0.97 km/h 0.6 mph		0.97 km/h 0.6 mph		0.8 km/h 0.5 mph
Gradeability (Ramp Angle)	25%						
Tires (Solid Rubber)	12 x 4 x 8		16 x 5 x 12				
Hydraulic Oil							
Type	ATF Dexron III						
Tank Capacity (Liters)	11.3 L (3 gal)		30.3 L (8 gal)			28 L (7.5 gal)	
Sound Pressure Level at Platform Level							
Does not exceed:	70 db(A)						76 db(A)

* Weight with standard 0.9 m extension platform. Refer to serial nameplate for specific applications.

1336AB

7.4 Environment

Model	SJ3215	SJ3219	SJ3220	SJ3226	SJ4726	SJ4732	SJ4740
Electromagnetic compatibility (EMC)	Meets requirements of ISO 13766-1:2018						
Hazardous location rating	MEWP not rated for hazardous locations with potentially flammable gases, explosive gases or particles						MEWP not rated for hazardous locations with potentially flammable gases, explosive gases or particles
	<p>EE-rated machines only:</p> <p>Meets requirements of NFPA 505 (Class I, Division 2, Group D) and UL 583 standards. DO NOT charge the batteries in hazardous areas. Battery charging is not covered by/under the hazardous location rating of MEWP. Refer to the NFPA 505 publication for the charging setup.</p> <p>DO NOT use AC power on the platform.</p>						
Operating temperatures							
-20°C (-4°F) – +40°C (+104°F)							

1808AC_ANSI

7.5 Maximum platform capacities (evenly distributed)

Model	Wind rating	Total platform capacity		Extension platform capacity		Manual side force	Tilt cutout setting (side-to-side x front-to-back)
		Capacity	Persons	Capacity	Persons		
SJ3215	0 m/s [0 mph]	272 kg [600 lb]	2 Persons	113 kg [250 lb]	1 Person	400 N [90 lbf]	1.5° × 3.5°
	12.5 m/s [28 mph]	272 kg [600 lb]	1 Person	113 kg [250 lb]	1 Person	200 N [45 lbf]	
SJ3219	0 m/s [0 mph]	227 kg [500 lb]	2 Persons	113 kg [250 lb]	1 Person	400 N [90 lbf]	1.5° × 3.5°
	12.5 m/s [28 mph]	227 kg [500 lb]	1 Person	113 kg [250 lb]	1 Person	200 N [45 lbf]	
SJ3220	0 m/s [0 mph]	408 kg [900 lb]	2 Persons	136 kg [300 lb]	1 Person	400 N [90 lbf]	1.5° × 3.5°
	12.5 m/s [28 mph]	408 kg [900 lb]	1 Person	136 kg [300 lb]	1 Person	200 N [45 lbf]	
SJ3226	0 m/s [0 mph]	227 kg [500 lb]	2 Persons	113 kg [250 lb]	1 Person	400 N [90 lbf]	1.5° × 3.5°
	12.5 m/s [28 mph]	227 kg [500 lb]	1 Person	113 kg [250 lb]	1 Person	200 N [45 lbf]	
SJ4726	0 m/s [0 mph]	454 kg [1000 lb]	3 Persons	136 kg [300 lb]	1 Person	400 N [90 lbf]	1.5° × 3.5°
	12.5 m/s [28 mph]	454 kg [1000 lb]	2 Persons	136 kg [300 lb]	1 Person	400 N [90 lbf]	
SJ4732	0 m/s [0 mph]	318 kg [700 lb]	2 Persons	113 kg [250 lb]	1 Person	400 N [90 lbf]	1.5° × 3.5°
	12.5 m/s [28 mph]	318 kg [700 lb]	1 Person	113 kg [250 lb]	1 Person	200 N [45 lbf]	
SJ4740	0 m/s [0 mph]	350 kg [770 lb]	3 Persons	120 kg [265 lb]	1 Person	400 N [90 lbf]	1.5° × 3.5°
	12.5 m/s [28 mph]	350 kg [770 lb]	1 Person	120 kg [265 lb]	1 Person	200 N [45 lbf]	

1337AB

NOTE

Occupants and materials are not to exceed the rated load. Refer to the capacity label at the entrance of the platform and the front kick plate for more information and models equipped with options.

7.6 Floor loading pressure

Model		Weights				Pressures			
		MEWP weight		Max weight per wheel		LCP**		OFL**	
		kg	lb	kg	lb	kPa	psi	kPa	psf
SJ3215	Min*	1148	2531	290	640	872	126.5	7.9	164
	Max*	1420	3131	490	1080	1106	160.4	9.7	202
SJ3219	Min*	1476	3255	370	816	961	139.4	10.1	210.9
	Max*	1703	3755	608	1340	1134	164.5	11.7	244.4
SJ3220	Min*	1776	3917	445	981	982	142	9.6	201
	Max*	2184	4817	853	1880	1202	174	11.9	248
SJ3226	Min*	1900	4190	475	1047	1070	155	10.3	215
	Max*	2127	4690	794	1750	1193	173	11.5	241
SJ4726	Min*	2511	5537	628	1384	1479	215	9.5	198
	Max*	2965	6537	1161	2560	1569	228	14.2	234
SJ4732	Min*	2492	5496	623	1374	1478	214	9.4	197
	Max*	2809	6196	1066	2350	1559	226	10.6	222
SJ4740	Min*	2934	6467	735	1620	1520	220	10.0	208
	Max*	3284	7237	1270	2800	1585	230	11.2	233

* **Min:** Minimum MEWP weight (Unloaded platform, no options/attachments) 1338AA
Max: Maximum MEWP weight (Platform loaded to capacity with options/attachments)

Wheel is the weight that can be experienced on one wheel.

Note: This is more than 25% of the machine weight due to possible weight distribution over the machine and platform.

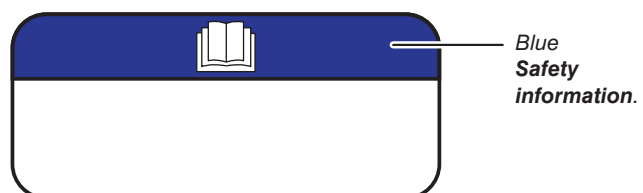
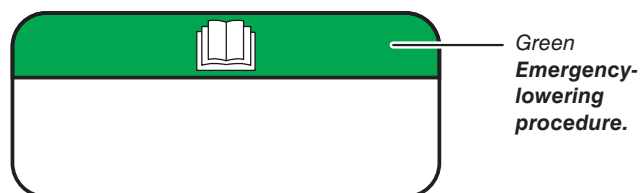
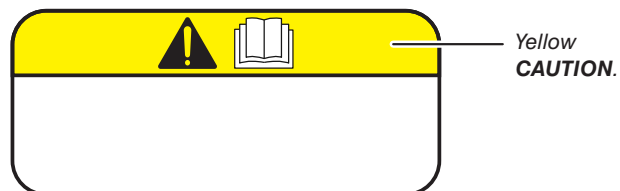
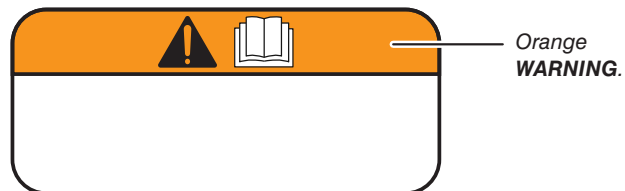
** **LCP:** Local Concentrated Pressure is a measure of how hard the MEWP presses on the area in direct contact with the floor/tire.

OFL: Overall Floor Load (Pressure) is a measure of the average load the MEWP imparts on the whole surface directly underneath the chassis. This has been calculated by dividing the MEWP weight by the overall floor area occupied by the MEWP (on wheels).

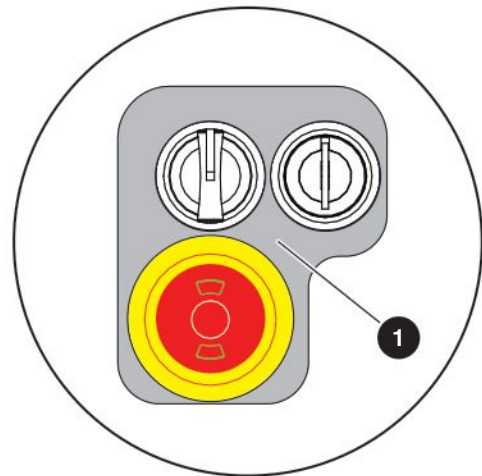
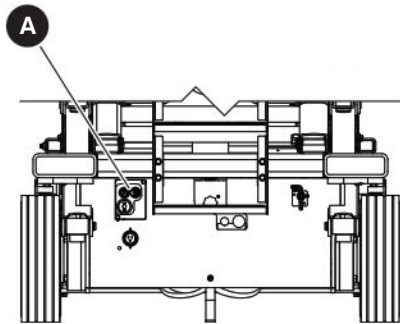
Note: The floor covering (e.g., tile, carpet, etc.) or the structure (e.g., beams) of the operating surface must be able to withstand more than the values indicated above.

Note: The LCP or OFL that an individual surface can withstand varies from structure to structure and is generally determined by the engineer or architect for that particular structure.

Section 8 – Labels



8.1 Base control console labels



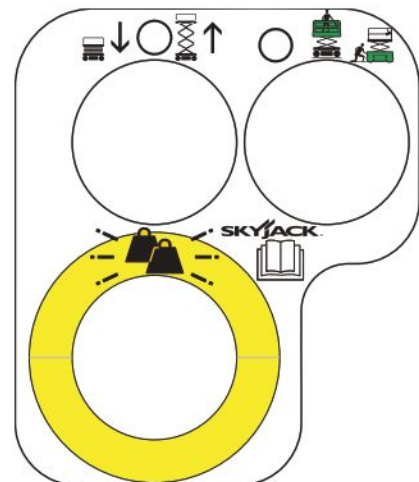
A Base controls

Description

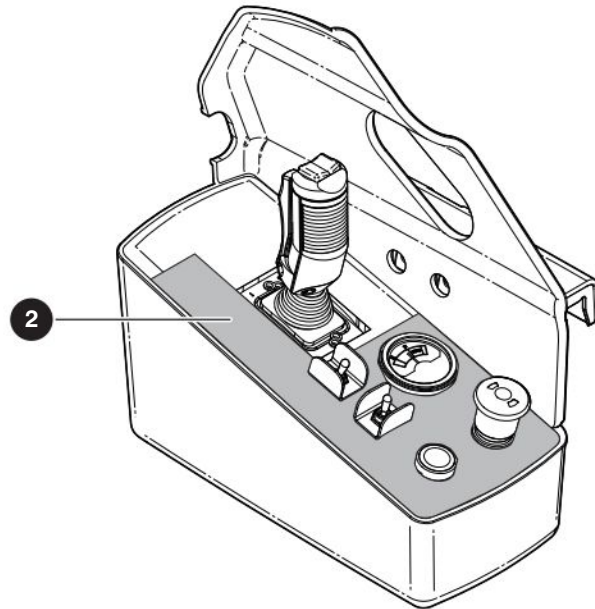
Label Pictorial

1 Base controls

- Select the **off position** to turn off power to the MEWP, the **platform position** to energize the platform controls, or the **base position** to energize the base controls.
- Turn and hold the **lower/neutral/raise** switch to lower or raise the platform.
- Push the **emergency-stop** button to disconnect power to the control circuit. Pull the **emergency-stop** button to connect the power again.



8.2 Platform control console labels

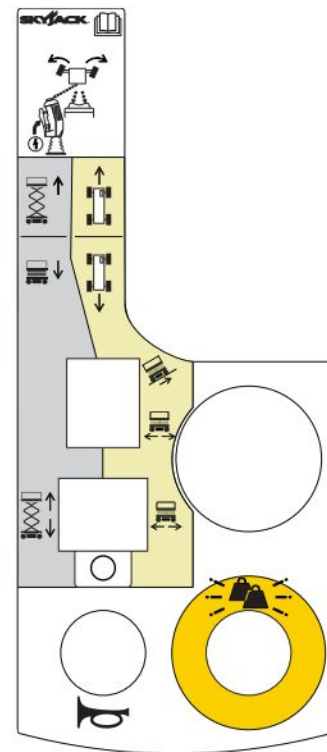


Description

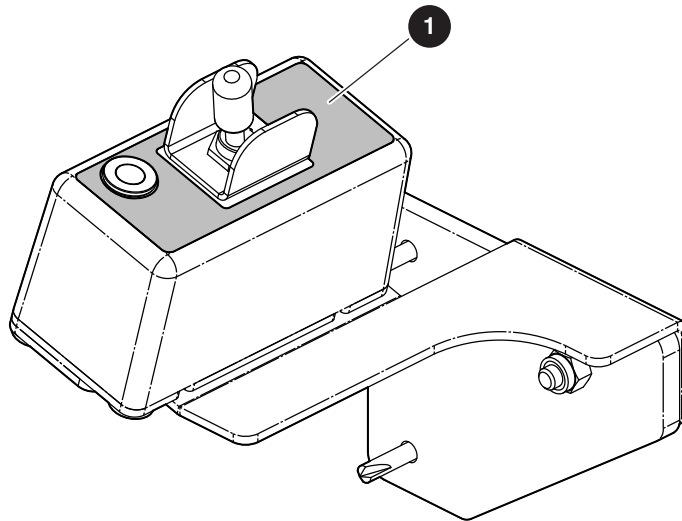
Label Pictorial

2 Platform controls

- Squeeze and hold the **function-enable** switch to energize the lift, drive, and steer functions.
- Operate the **steering rocker** switch to steer.
- Move the **controller handle** to control the lift and drive movements.
- Select the **inclined drive** (low speed/high torque) or **level drive** (high speed/low torque) mode.
- Select the **lift, off, or drive** mode.
- Push the **horn** button to make a sound like a car horn.
- Push the **emergency-stop** button to disconnect power to the control circuit. Pull the **emergency-stop** button to connect the power again.



8.3 Dual height control console label (SJ3226 and SJ4740)

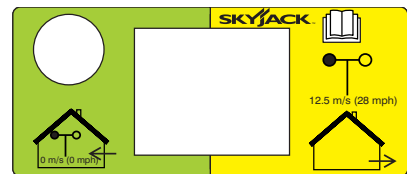


Description

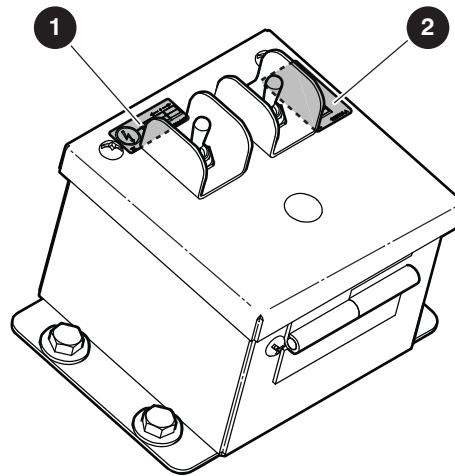
Label Pictorial

1 Dual height controls

Lift the **dual height** switch to select the indoor (no wind) or outdoor (wind) mode.



8.4 Power deck control console labels (SJ3220 and SJ4726)

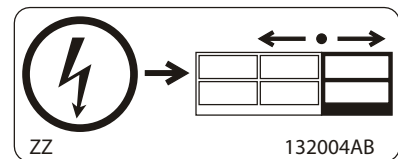


Description

Label Pictorial

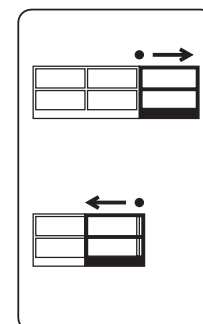
1 Power deck enable switch

- Move and hold the **enable** switch to energize the extend and retract functions.



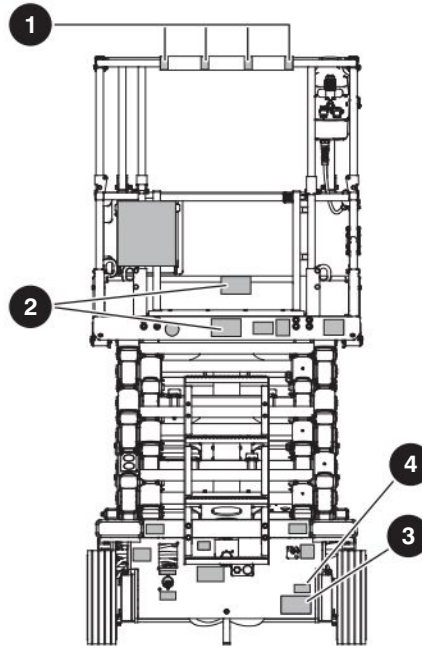
2 Power deck extend/retract switch

- Move and hold the **extend/retract** switch to extend or retract the extension platform.



8.5 Labels

8.5-1 Rear



Description

Label Pictorial

1 Caution tape stripe



2 Platform capacity*

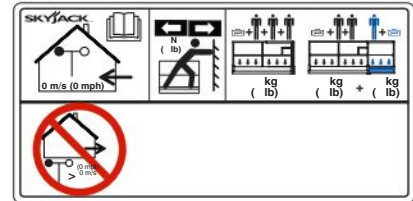
Shows the rated work load in each configuration.

**Each model has different platform capacities.*

Horizontal load rating**

Do not apply more than the specified side load. Operate the MEWP when the wind speed, which includes wind gusts, is less than the specified speed for this model.

***The rating changes between different units.*



3 Serial plate*

MEWP identification and specifications.

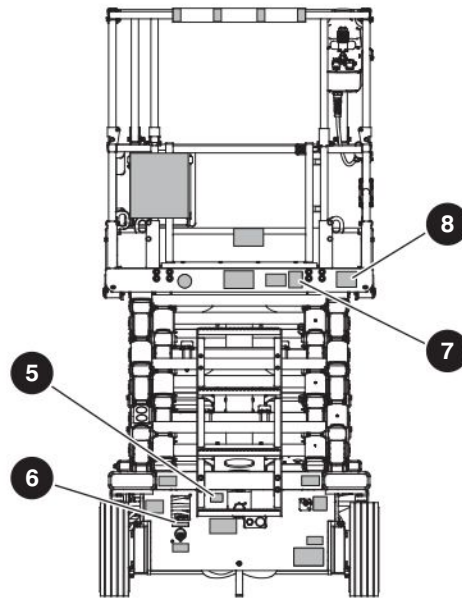
**The serial plate information changes with different MEWPs.*



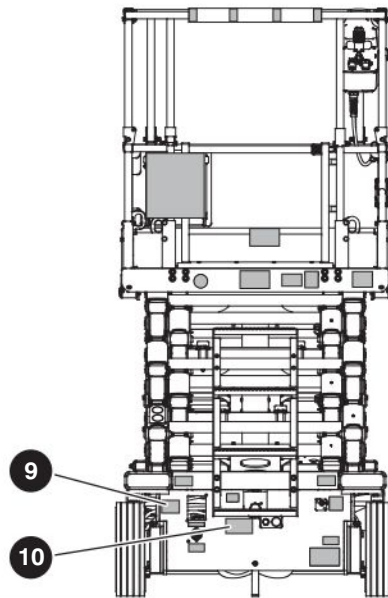
4 Skyjack manufactured date

Shows the month and year of manufacture for this MEWP.



Rear, continued

Description	Label Pictorial
<p>5 Freewheeling procedure</p> <p>Refer to the operation manual.</p> <p>Turn the freewheeling valve counterclockwise to open it.</p> <p>Turn the freewheeling valve clockwise to close it.</p>	
<p>6 AC power plug</p> <p>Connect the AC supply here.</p>	
<p>7 Operator daily inspection</p> <p>Refer to the operation manual. Do the visual inspections and function tests when you start each work shift.</p> <p>Refer to Section 4.2.</p>	
<p>8 No jewelry</p> <p>Caution. Do not wear jewelry or loose clothing that could become caught or entangled.</p>	

Rear, continued

Description

Label Pictorial

9 Elevate™ Trackunit (optional equipment)

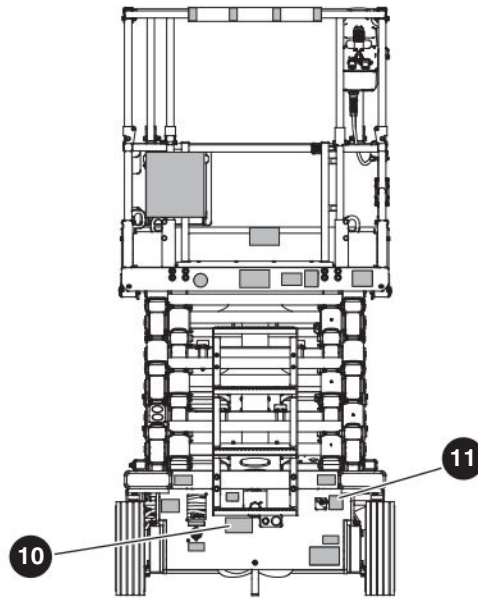
This MEWP has added functionality.

**10 Winch/tow/push procedure - pin brakes (SJ3215, SJ3219, SJ3220, SJ3226, SJ4726, SJ4732 only)**

Refer to the operation manual.

1. Use wheel chocks or blocks at the front and rear of the wheels to prevent MEWP movement.
2. Turn the **main power disconnect** switch to the off position.
3. Turn the **pin brake blocks** 90° with a 19 mm (3/4 in) wrench to release them. The brake pin must not touch the brake disc.
4. Locate the pin brakes at the rear of the base.
5. Turn the **freewheeling valve** counterclockwise to a fully open position.
6. Push, winch, or tow the MEWP to the necessary location.
7. Use wheel chocks or blocks at the front and rear of the wheels to prevent MEWP movement.
8. Turn the **freewheeling valve** knob clockwise to a fully close position.
9. Turn the **pin brake blocks** 90° with a 19 mm (3/4 in) wrench to re-engage them.



Rear, continued

Description

Label Pictorial

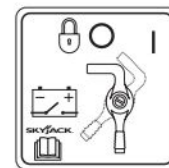
10 Winch/tow/push procedure - disc brakes (SJ4740 only)

Refer to the operation manual.

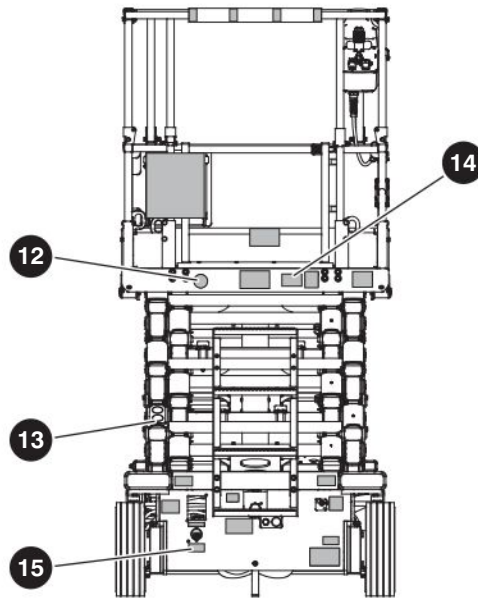
1. Use wheel chocks or blocks at the front and rear of the wheels to prevent MEWP movement.
2. Turn the **main power disconnect** switch to the off position.
3. Find the **freewheeling valve** and the **drive manifold** at the rear of the base.
4. Push the **plunger** of the brake auto-reset valve.
5. Continuously push and release the **knob** of the hand pump until firm resistance is felt. The brake is released
6. Turn the **freewheeling valve** counterclockwise to a fully open position.
7. Push, winch, or tow the MEWP to the necessary location.
8. Use wheel chocks or blocks at the front and rear of the wheels to prevent MEWP movement.
9. Pull the **plunger** of the brake auto-reset valve to re-engage the brakes.
10. Turn the **freewheeling valve** knob clockwise to a fully close position.

**11 Main power disconnect switch**

Turn the switch clockwise to turn the power on. Turn the switch counterclockwise to turn the power off. Use a padlock to lock the switch in place.

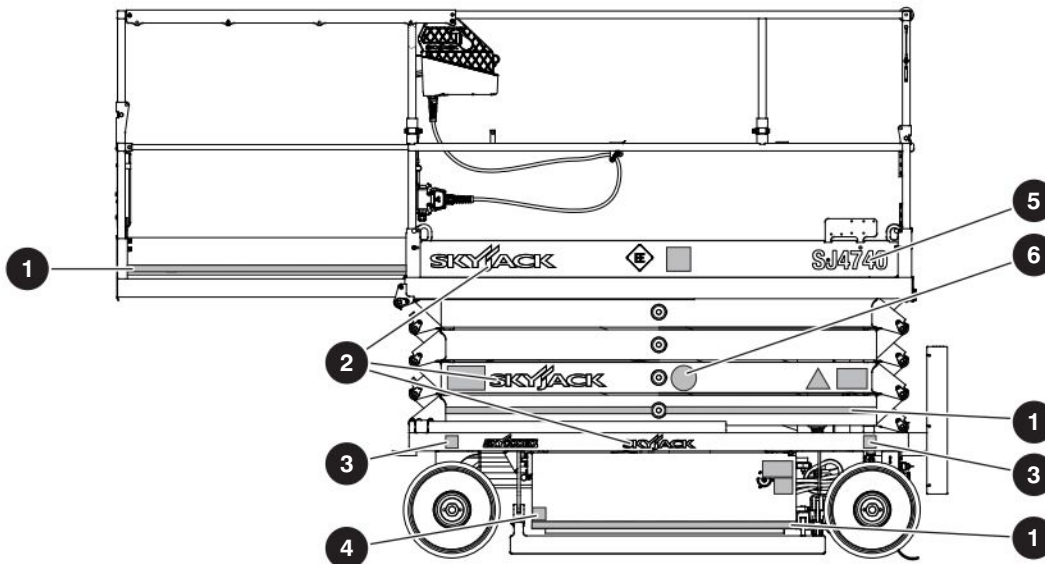








Rear, continued



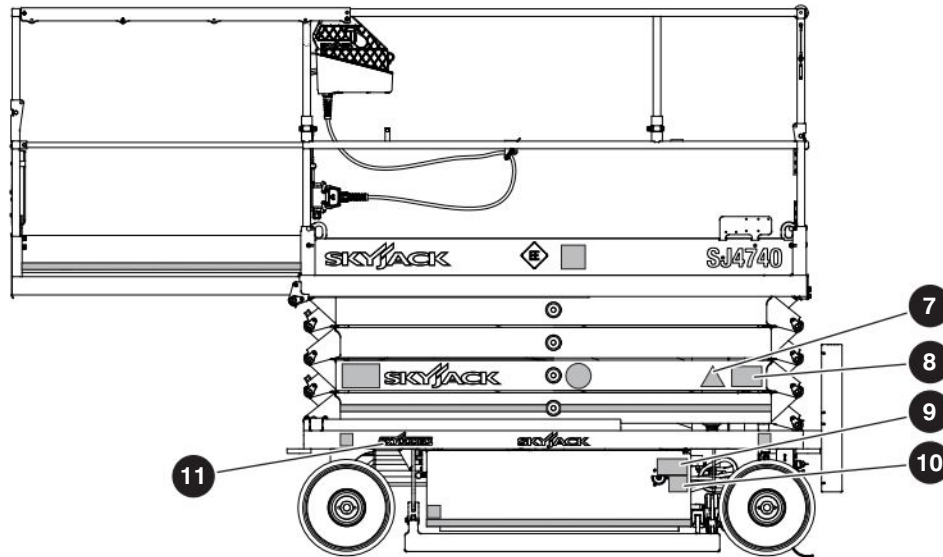
Description	Label Pictorial
<p>12 No insulation</p> <p>This MEWP is not electrically insulated and does not provide protection from contact with, or proximity to, energized electrical conductors. Follow Section 2.1-1 for the minimum distance to keep between all parts of the MEWP, occupants, or tools, and the electrical conductors.</p>	
<p>13 Warning - deploy maintenance support(s)</p> <p>Do not do maintenance or inspections in the scissor assembly unless the maintenance support(s) are deployed. Refer to Section 6.8.</p>	
<p>14 Warning - California proposition 65</p> <p>Cancer and reproductive harm - https://www.p65warnings.ca.gov/.</p>	
<p>15 Warning - AC power for EE-Rated MEWPs (optional equipment) (SJ3215, SJ3219, SJ3220, SJ3226, SJ4726, and SJ4732 only)</p> <p>Do not use AC power in hazardous areas.</p>	

8.5-2 Left side



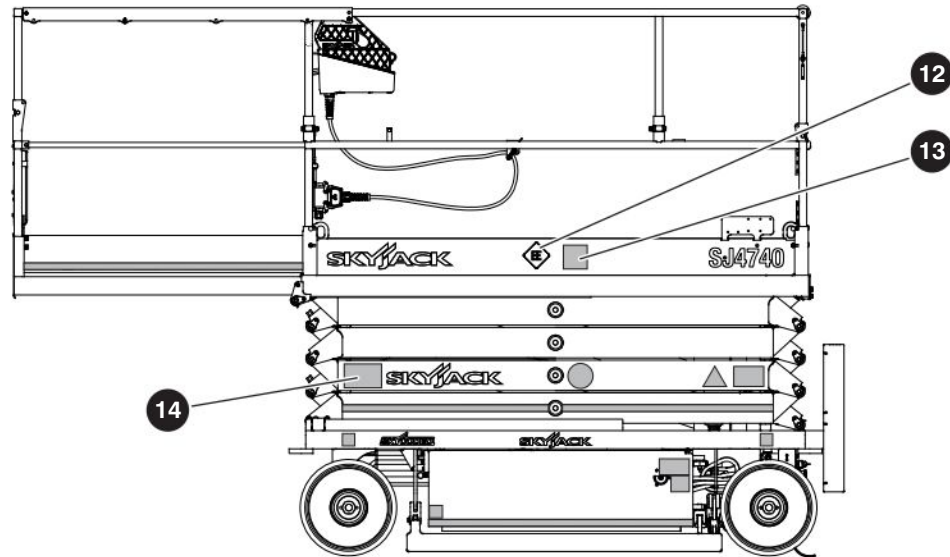
Description	Label Pictorial
<p>1 Caution tape stripe</p>	
<p>2 Skyjack logo</p>	
<p>3 Wheel load* Shows the maximum load applied to the ground by the specified wheel. <i>*Each model has different wheel loads.</i></p>	
<p>4 Warning - crush hazard</p>	
<p>5 Model number* Product identifier. <i>*The model number can be different from the one you see.</i></p>	
<p>6 Stay away Stay away from the MEWP when it is in operation.</p>	

Left side, continued



Description	Label Pictorial
<p>7 Warning - annual inspection Refer to the operation manual. Make sure the annual and daily inspections are done.</p>	
<p>8 Annual inspection Make sure the MEWP receives an annual inspection before operation.</p>	
<p>9 Emergency-lowering procedure Refer to the operation manual. Make sure that the main power disconnect switch is in the on position. 1. On the hydraulic tray, hold the emergency-lowering switch to the left or right to fully lower the platform.</p>	
<p>10 Emergency-lowering identification</p>	
<p>11 Skycoded™ logo</p>	

Left side, continued



Description	Label Pictorial
-------------	-----------------

- 12 **EE-Rating (optional equipment) (SJ3215, SJ3219, SJ3220, SJ3226, SJ4726, and SJ4732 only)***

Shows the EE-rating for EE-rated MEWPs.

**Only MEWPs that are EE-rated have this label.*



- 13 **TUV certification (optional equipment) (SJ3215, SJ3219, SJ3220, SJ3226, SJ4726, and SJ4732 only)***

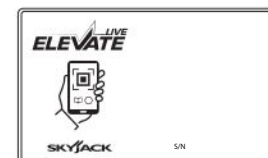
This MEWP has TUV certification.

**Only MEWPs that are EE-rated have this label.*



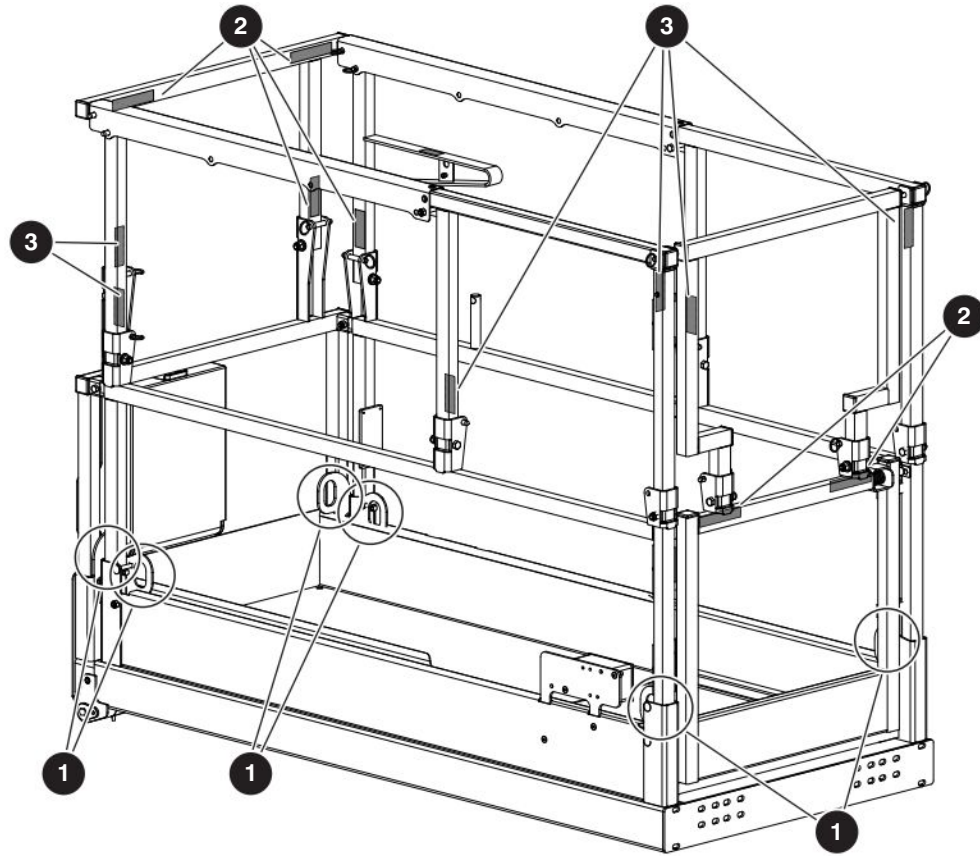
- 14 **QR code**

This code gives you fast access to the MEWP documentation, and the live MEWP data supplied by ELEVATE telematics (optional equipment).

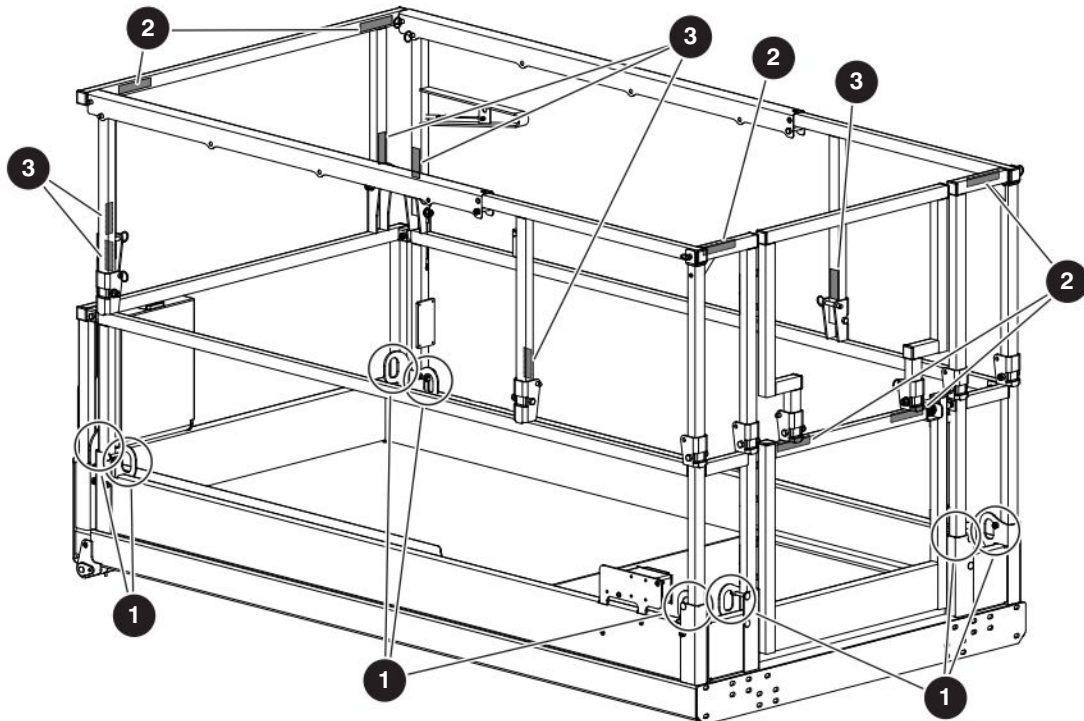


8.5-3 Platform

SJ2315, SJ3219 with full gate

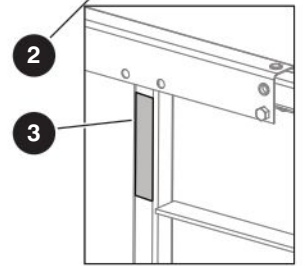
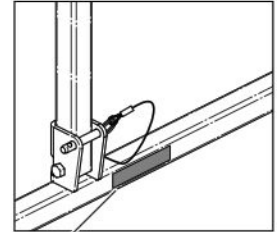
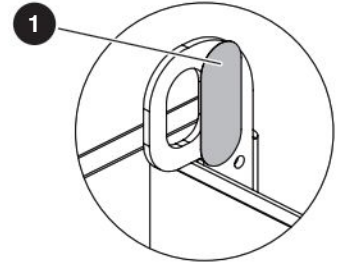
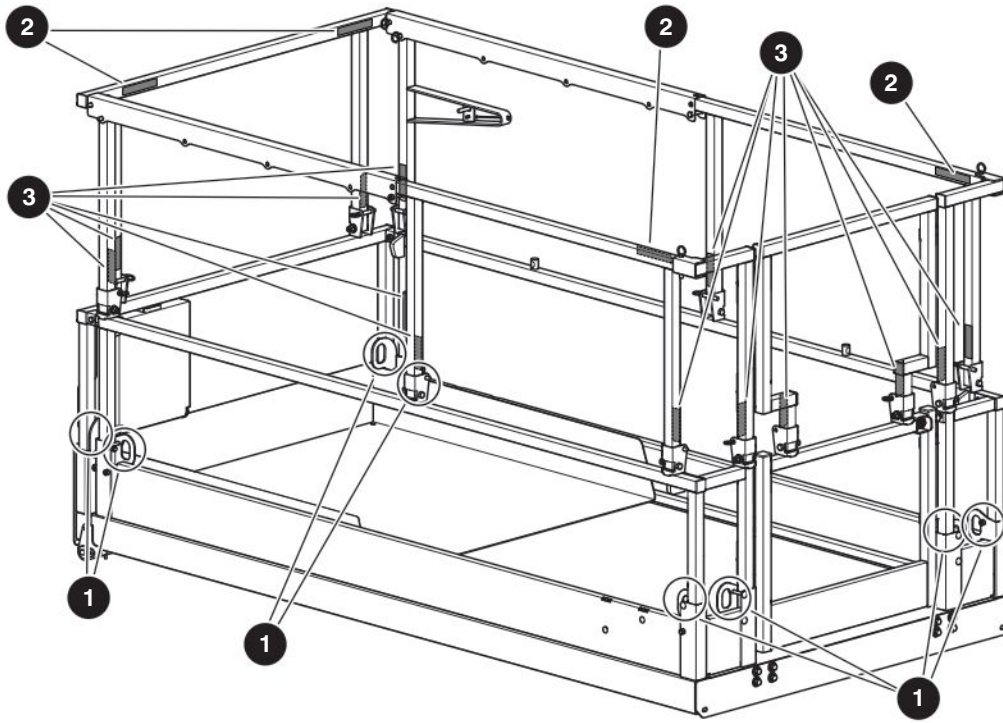


SJ3220, SJ3226, SJ4720, SJ4726, SJ4732 with full gate



Platform continued

SJ4740 with full gate



Description

Label Pictorial

1 Fall-protection anchorages

When required, attach the body-harness lanyards of each occupant to the fall-protection anchorage points.
Rated for one (1) person for each anchorage point.



2 Warning - fall hazard

Make sure the hinged railing is locked with **lock-pins**.

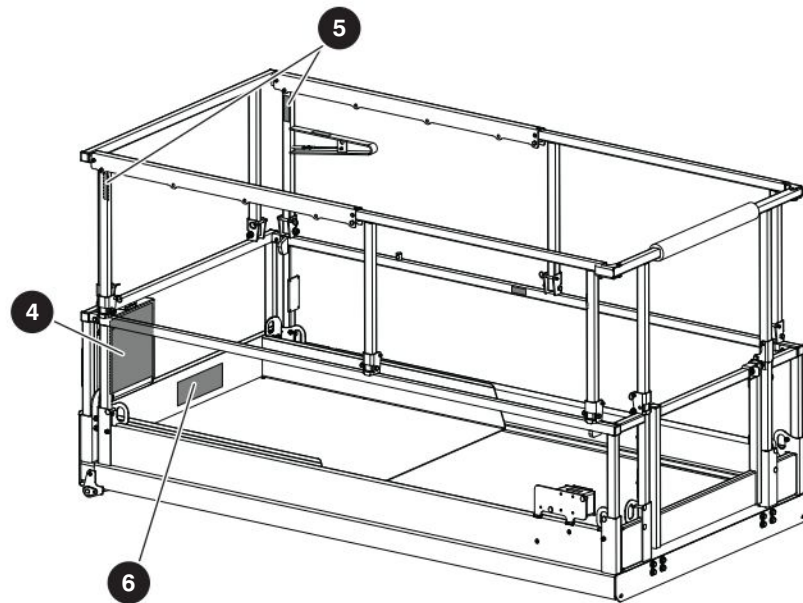


3 Warning - fall hazard

Make sure the hinged railing is locked with **lock-pins**.



Platform continued



Description

Label Pictorial

4 Hazard identification

Read and understand the specified hazards with this MEWP before operation. Refer to [Section 2](#).

Manual storage box

Shows the location of the operation manual.

Note: This label is inside the platform.



5 Platform extension lock-pin

Shows the location of the platform extension pin, which is on the inner face at the front of the left and right guardrails.



6 Platform capacity*

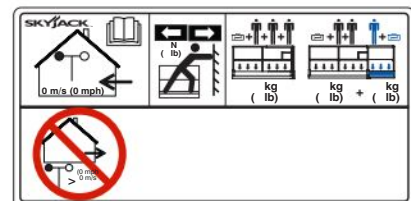
Shows the rated work load in each configuration.

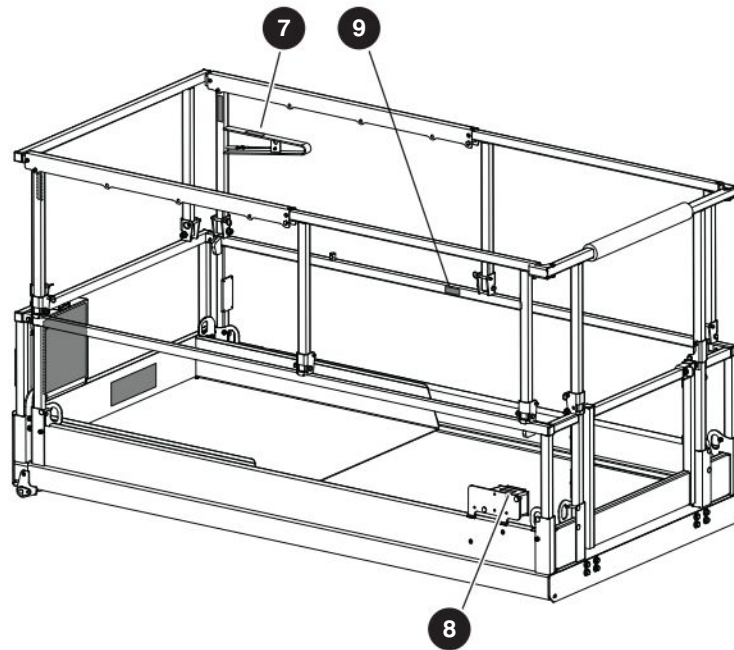
**Each model has different platform capacities.*

Horizontal load rating**

Do not apply more than the specified side load. Operate the MEWP when the wind speed, which includes wind gusts, is less than the specified speed for this model.

***The rating changes between different units.*



Platform continued

Description

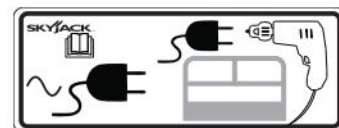
Label Pictorial

7 Location of the platform control console

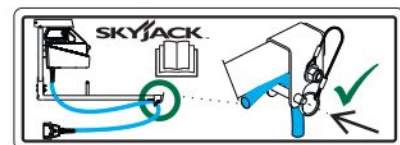
Shows the location of the platform control console.

**8 AC power plug**

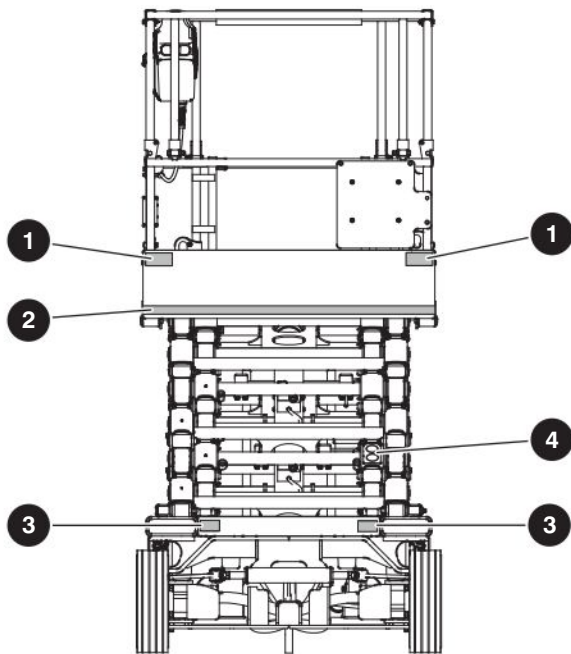
Connect the AC supply here.

**9 Platform control cable**

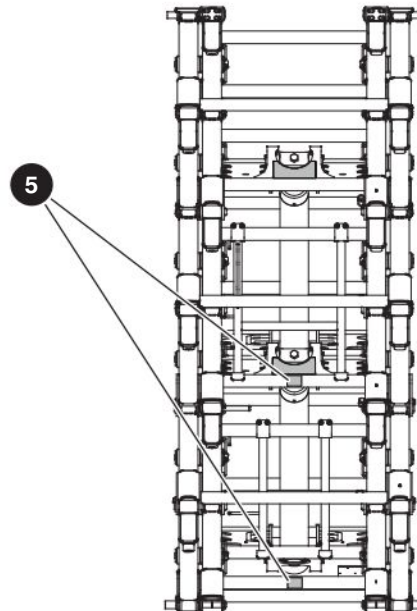
Insert the platform control console cable in the bracket and lock it with the lock-pin.



8.5-4 Front



8.5-5 Scissor assembly - rear



Description

Label Pictorial

1 Warning - crush hazard



2 Caution tape stripe



3 Lift and tie-down points

Only use these points to lift or tie-down the MEWP.



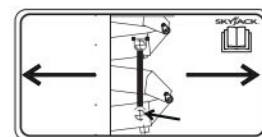
4 Warning - deploy maintenance support(s)

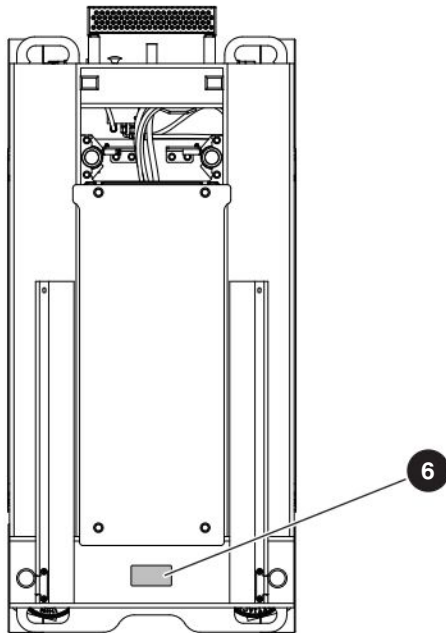
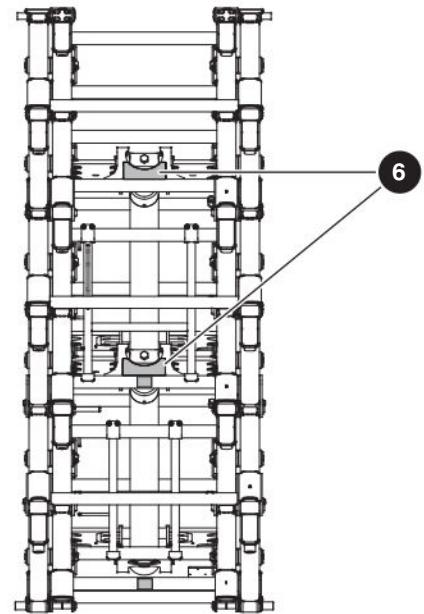
Do not do maintenance or inspections in the scissor assembly unless the maintenance support(s) are deployed. Refer to [Section 6.8](#).



5 Maintenance support(s)

Engage the maintenance support(s) here.



Scissor assembly - rear, continued**SJ3215, SJ3219, SJ3220, SJ3226, SJ4726, SJ4732 Location****SJ4740 Location**

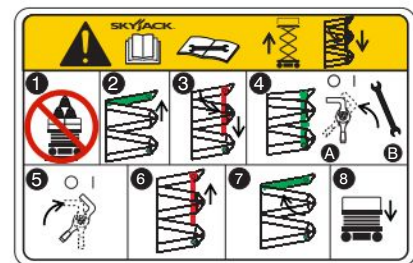
Description

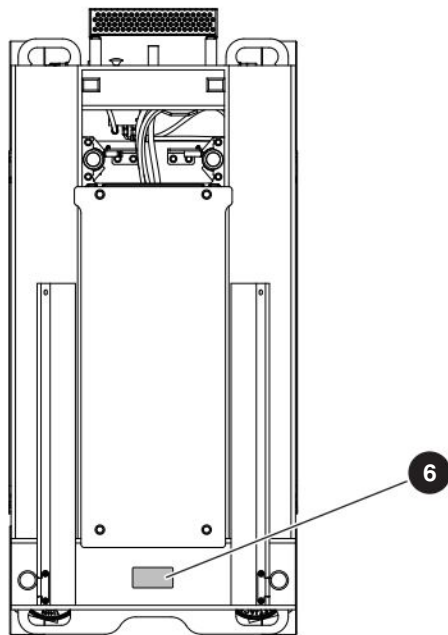
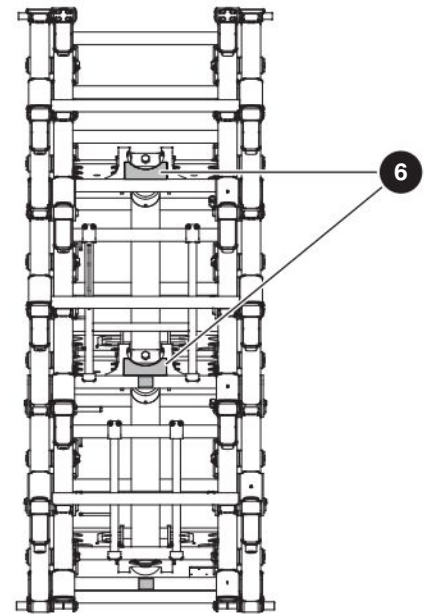
Label Pictorial

6 Maintenance support procedure (SJ3215, SJ3219, SJ3220, SJ3226, SJ4726, SJ4732 only)

Refer to the operation manual.

1. Remove all personnel and material from the platform.
2. Raise the platform until there is adequate clearance to deploy the **maintenance support**.
3. Deploy the **maintenance support**. Lower the platform until the bottom ends of the **maintenance support** touches the cross bar with the label, and the maintenance support holds the scissors.
4. The maintenance support is now secured.
 - (A) Turn the **main power disconnect** switch to the off position.
 - (B) Do the necessary inspection or maintenance.
5. Turn the **main power disconnect** switch to the on position.
6. Raise the platform until there is adequate clearance to retract the **maintenance support**.
7. Store the **maintenance support** into the storage brackets.
8. Fully lower the platform.



Scissor assembly - rear, continued**SJ3215, SJ3219, SJ3220, SJ3226, SJ4726, SJ4732 Location****SJ4740 Location**

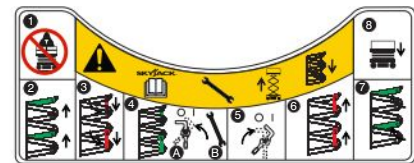
Description

Label Pictorial

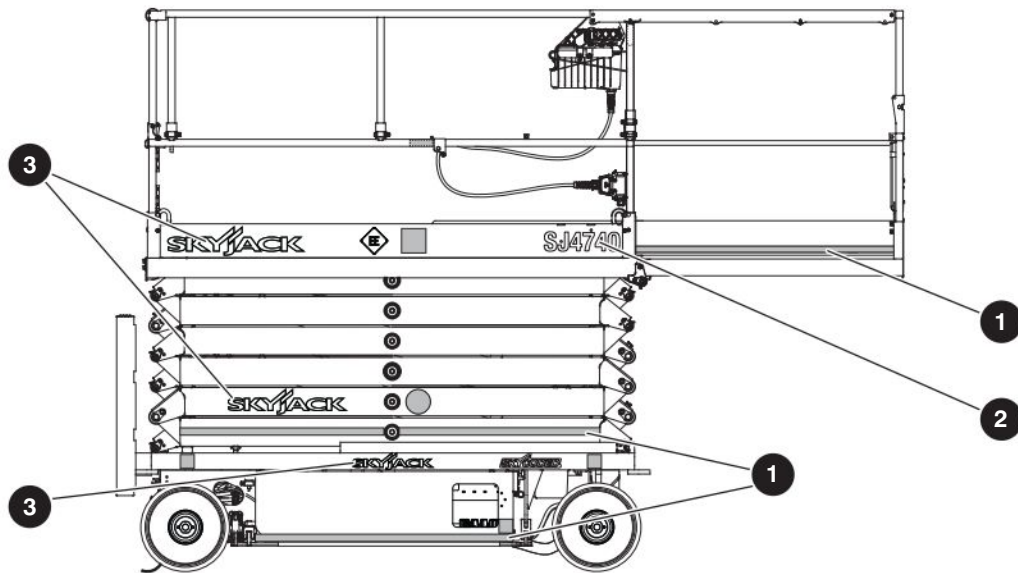
6 Maintenance supports procedure (SJ4740)

Refer to the operation manual.

1. Remove all personnel and material from the platform.
2. Raise the platform until there is adequate clearance to deploy the **maintenance support**.
3. Deploy the top and bottom **maintenance supports**. Lower the platform until the bottom ends of the **maintenance supports** touch the cross bars with the labels, and the maintenance supports hold the scissors.
4. The maintenance supports are now secured.
 - (A) Turn the **main power disconnect** switch to the off position.
 - (B) Do the necessary inspection or maintenance.
5. Turn the **main power disconnect** switch to the on position.
6. Raise the platform until there is adequate clearance to retract the **maintenance supports**.
7. Store the **maintenance supports** into the storage brackets.
8. Fully lower the platform.



8.5-6 Right side



Description

Label Pictorial

1 Caution tape stripe



2 Model number*

Product identifier

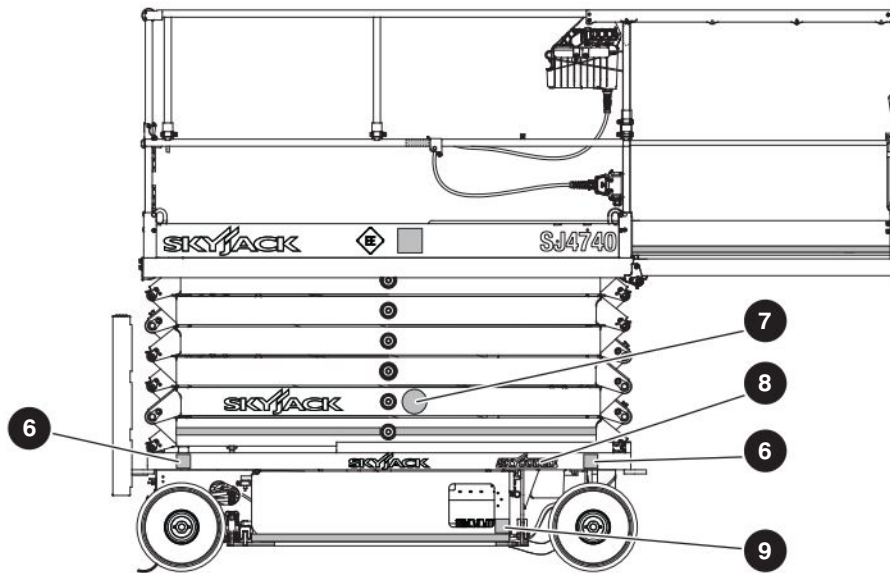
**The model number can be different from the one you see.*

SJ4740

3 Skyjack logo



Right side, continued

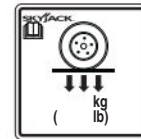


Description

Label Pictorial

6 Wheel load*

Shows the maximum load applied to the ground by the specified wheel.
 *Each model has different wheel loads.



7 Stay away

Stay away from the MEWP when it is in operation.



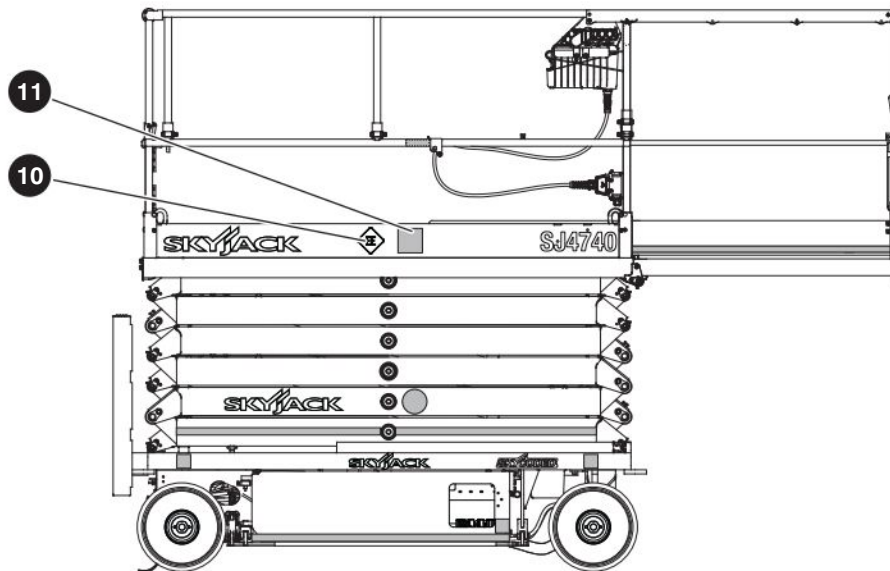
8 Skycoded™ logo



9 Warning - crush hazard



Right side, continued



Description

Label Pictorial

- 10 EE-Rating (optional equipment) (SJ3215, SJ3219, SJ3220, SJ3226, SJ4726, and SJ4732 only)***

Shows the EE-rating for EE-rated MEWPs.

**Only MEWPs that are EE-rated have this label.*



- 11 TUV certification (optional equipment) (SJ3215, SJ3219, SJ3220, SJ3226, SJ4726, and SJ4732 only)***

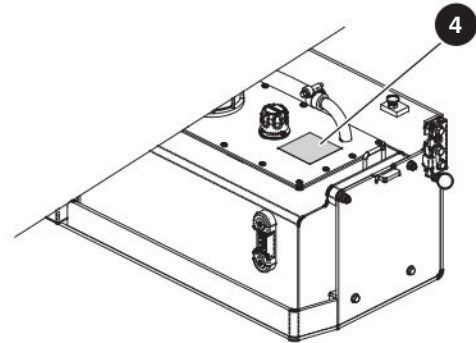
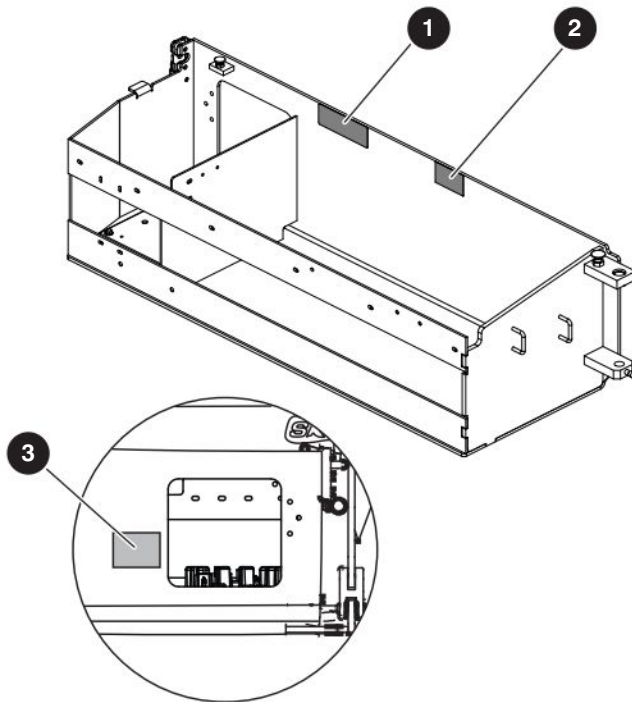
This MEWP has TUV certification.

**Only MEWPs that are EE-rated have this label.*



8.5-7 Battery tray

8.5-8 Hydraulic tray

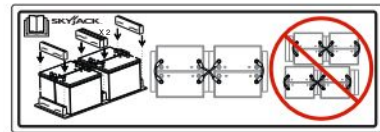


Description

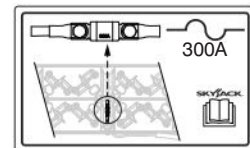
Label Pictorial

1 Battery spacers

Put the spacers only as shown in the diagram.

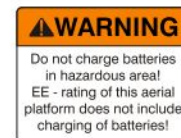


2 Fuse location



3 Warning - connect the charger for EE-Rated MEWPs (optional equipment) (SJ3215, SJ3219, SJ3220, SJ3226, SJ4726, and SJ4732 only)

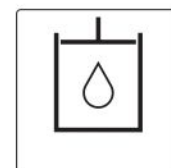
Do not charge batteries in hazardous areas.



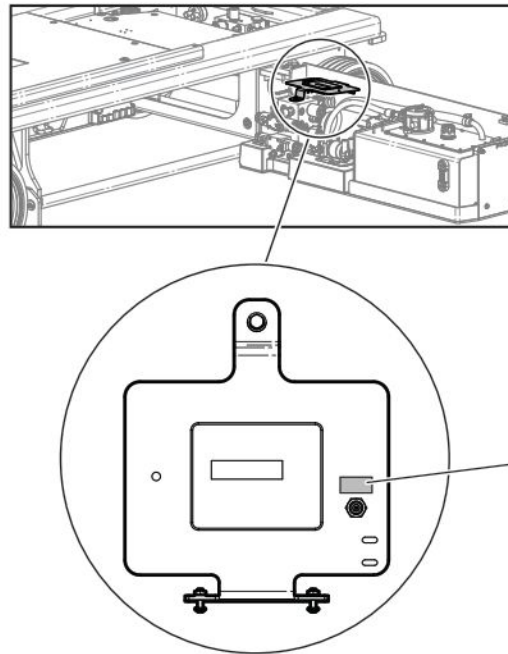
4 Hydraulic oil ATF Dexron III*

Only replace the hydraulic fluid with ATF Dexron III.

* Replace the hydraulic fluid with the Bio-Oil (if equipped).



8.5-9 Skycoded™ display panel

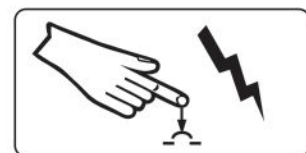


Description

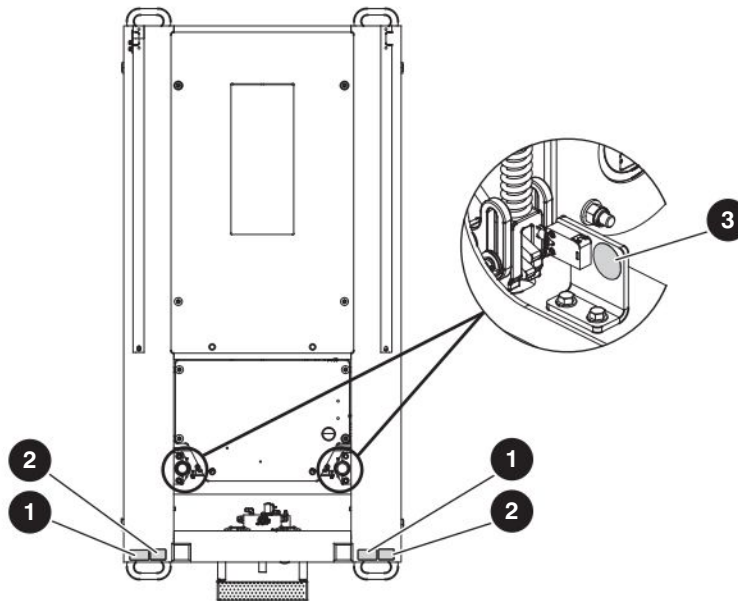
Label Pictorial

1 Circuit breaker reset

Push to reset the power circuit breaker.



8.5-10 Top view

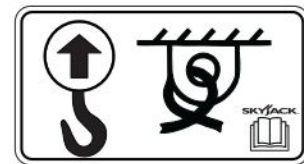


Description

Label Pictorial

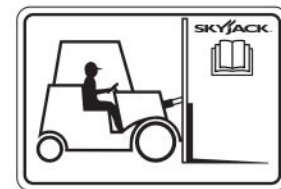
1 Lift and tie-down points

Only use these points to lift or tie-down the MEWP.



2 Forklift pocket

Put the fork fully into the pocket to lift the MEWP.

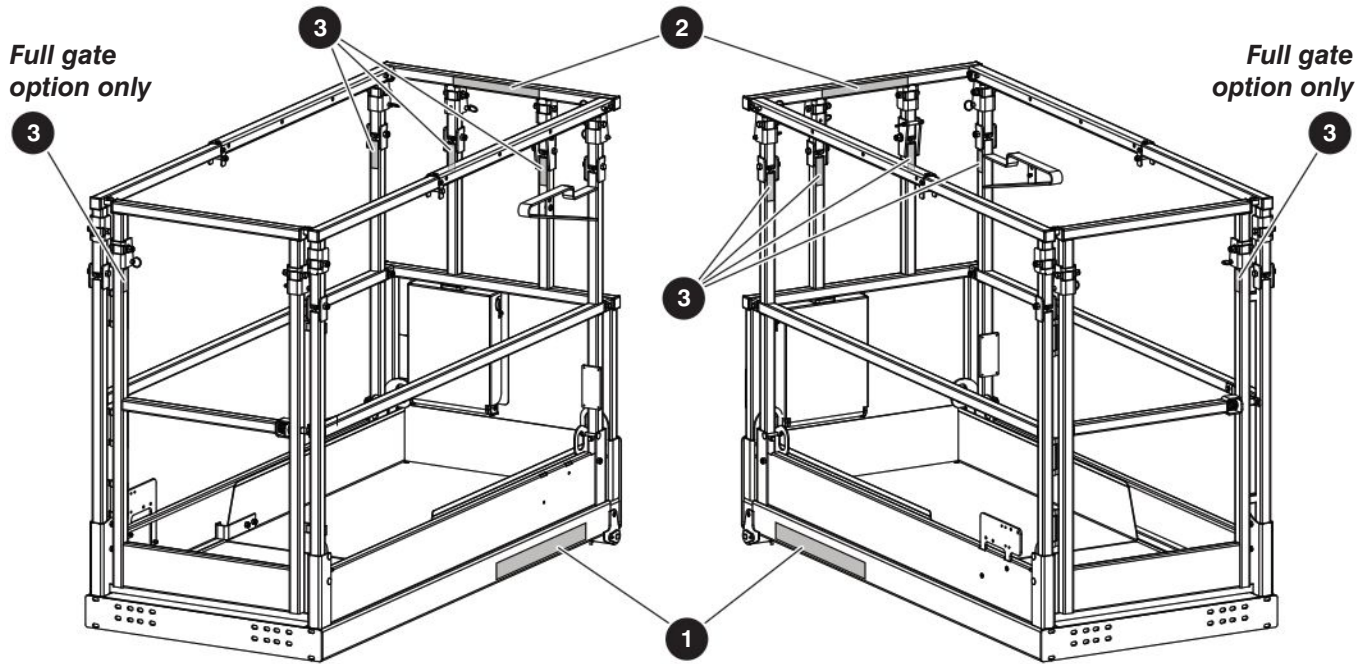


3 Warning - Do not alter

Do not tamper with or disable the limit switches or other safety devices.



8.5-11 Rapidfold guardrail labels (SJ3219)



Description

Label Pictorial

1 Rapidfold™ logo



2 Rapidfold™ information



3 Warning - fall hazard

Make sure the hinged railing is locked with lock-pins.



Section 9 – Unique Skyjack Features

Your Skyjack MEWP may be equipped with the following unique features:

ACCESSORYZERS™

Having equipment with features and functionality that allow you and your customers to do more is a vital part of the utilization equation. Skyjack offers a range of accessory products to further expand a given product's adaptability and your power to offer a truly flexible rental choice.

SKYCODED™

A proven and reliable, relay-based control system, incorporating Skyjack's color coded and numbered wiring system, make our machines the easiest to trouble shoot and repair which means easier maintenance and lowered costs.

 **Notes**



SKYJACK™

www.skyjack.com